




## Concealed thermostatic mixer

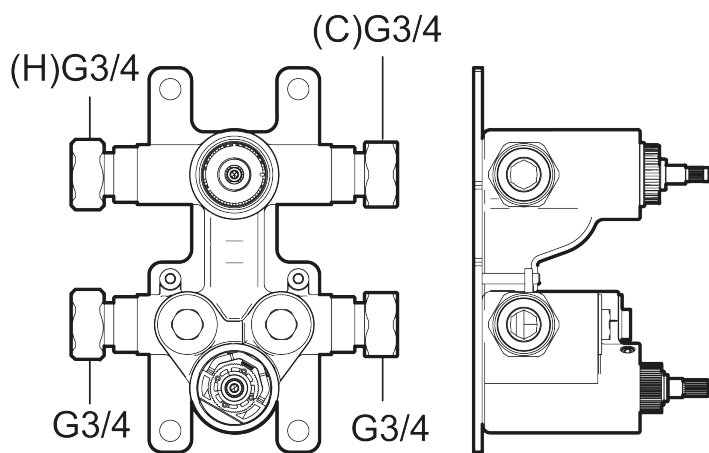
**Article number:** 275030 **RSK:** 8295049

**Description:** With reversible headwork, for shower system

- Note! Approved in selected markets, Sweden, Norway and Finland
- Thermostatic mixer with reversible headwork
- Safety stop at 38°C
- Ceramic headwork
- Approved non-return valves, EN-Standard EN1717
- Build-in depth (min. 75 mm - max. 105 mm)

Unique characteristics

Backflow protection unit type 

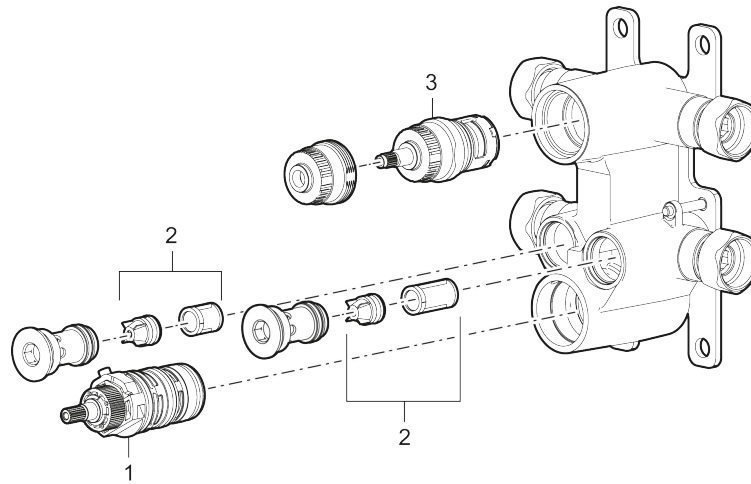


PRODUCT DESCRIPTION

Concealed thermostatic mixer

Article number: 275030

RSK: 8295049



Sparepartlist

NO.	ART NO.	RSK	DESCRIPTION
1	S600221		Thermostatic cartridge
2	S600220		Service kit
3	S600021	8441463	Reversible headwork 22 l/min, with service tool
3	S600270	8387233	Reversible headwork 22 l/min