



INXX II bath & shower system kit

Timeless form meets high performance in a piece that unifies a bath mixer plus overhead and hand shower in one seamless design. The shower system kit features temperature consistency technology, protection against scalding, as well as enhanced scaling resistance. The result is a world-class water experience and the perfect complement for bathrooms with bold styling and forms, as well as calm, understated spaces.

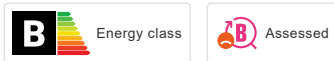
About the collection

INXX II is an elegant, timeless collection in a palette of carefully selected colours. Offering a combination of high quality, sober design and outstanding comfort, this is the ultimate Collection.

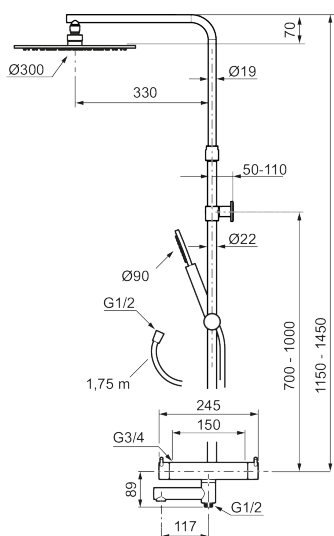
Article number: 272005 RSK: 8283723 Flow 3 bar: 7.6 l/m

Description: Chrome, 150 c/c

Unique characteristics



Backflow protection unit type **EB**



- Temperature- and pressure-balanced bath mixer that reacts quickly to changes and maintains an even water temperature.
- Integrated diverter – easy-to-use water diversion between overhead shower and hand shower
- Temperature handle with safety stop at 38°C
- Water-saving eco function on the flow control knob
- Approved non-return valves, EN-Standard EN1717
- Swivel spout with built-in diverter
- With telescopic function, height can be adjusted 1150–1450 mm from the connection
- Wall bracket freely adjustable in height, 700–1000 from connection and 50–100 mm from wall, 2x20 mm spacers included, with sealing, hidden pipe joint
- Head shower and hand shower with Easy-Clean anti-limescale system
- Shower hose in metal, PVC- and BPA-free inner hose