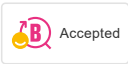
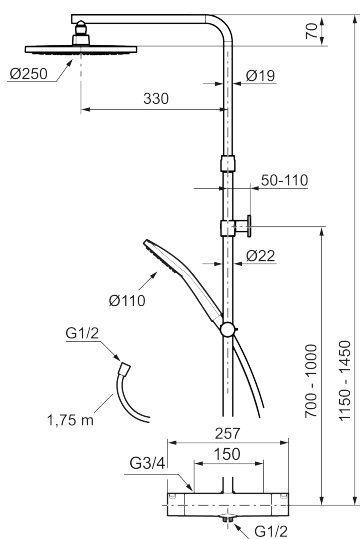




Unique characteristics



Backflow protection unit type **EB**



## LYNX shower system kit

Everyday luxury is the driving force behind the LYNX shower system kit, which offers the ease of a handheld shower and a seductive overhead experience in one package. It is available in chrome or matte black.

**Article number:** 341900.LD6 **RSK:** 8283464 **Flow 3 bar:** 6.0 l/m

**Description:** Chrome, 150 c/c, incl. 2 x cover plates, LEED/BREEAM compliant

Consist of:

### MORA LYNX thermostatic mixer:

- Pressure balanced thermostatic mixer
- With reversible headwork
- Temperature handle with safety stop at 38°C
- With Eco-function
- Lead Free material
- Approved non-return valves, EN-Standard EN1717

### MORA LYNX Shower System:

- Shower hose in metal, PVC- and BPA-free
- With Easy-Clean anti-limescale system
- Wall bracket freely adjustable in height, 700–1000 from connection and 50–100 mm from wall, 2x20 mm spacers included, with sealing, hidden pipe joint