



## LYNX shower system kit

Everyday luxury is the driving force behind the LYNX shower system kit, which offers the ease of a handheld shower and a seductive overhead experience in one package. It is available in chrome or matte black.

**Article number:** 341800 **RSK:** 8283453 **Flow 3 bar:** 7.6 l/m

**Description:** Chrome, 160 c/c

Consist of:

### MORA LYNX thermostatic mixer:

- Pressure balanced thermostatic mixer
- With reversible headwork
- Temperature handle with safety stop at 38°C
- With Eco-function
- Lead Free material
- Approved non-return valves, EN-Standard EN1717

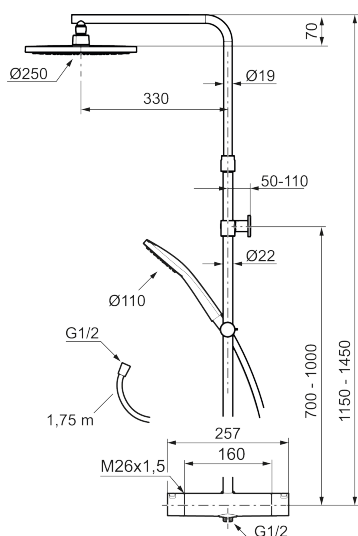
### MORA LYNX Shower System:

- Shower hose in metal, PVC- and BPA-free
- With Easy-Clean anti-limescale system
- Wall bracket freely adjustable in height, 700–1000 from connection and 50–100 mm from wall, 2x20 mm spacers included, with sealing, hidden pipe joint

### Unique characteristics



Backflow protection unit type **EB**



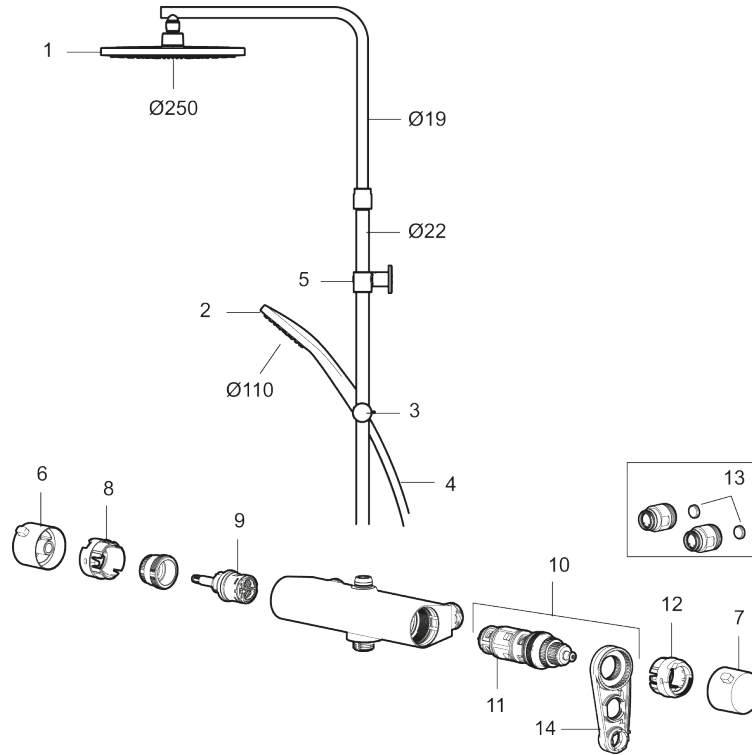
PRODUCT DESCRIPTION

# LYNX shower system kit

Everyday luxury is the driving force behind the LYNX shower system kit, which offers the ease of a handheld shower and a seductive overhead experience in one package. It is available in chrome or matte black.

Article number: 341800

RSK: 8283453



## Sparepartlist

| NO. | ART NO.      | RSK     | DESCRIPTION   |
|-----|--------------|---------|---|
| 1   | S600196      | 8237572 | Shower head, 250 mm                                     |
| 1   | S600196.12   | 8237573 | Matte black   |
| 2   | S600238      | 8233065 |   |
| 2   | S600238.12   | 8233100 |   |
| 3   | S600246      | 8239619 | Slider, chrome  |
| 3   | S600246.12   | 8239664 | Slider, matte black                                     |
| 4   | S600109      | 8252036 | Shower hose 1750 mm, chrome                             |
| 4   | S600109.LD   |         | Shower hose 1750 mm, chrome, LEED/BREEAM compliant      |
| 4   | S600109.12   | 8236624 | Shower hose 1750 mm, matte black                        |
| 4   | S600109.12LD |         | Shower hose 1750 mm, matte black, LEED/BREEAM compliant |
| 5   | S600094      | 8221921 | Wall bracket, chrome                                    |
| 5   | S600094.12   | 8221922 | Wall bracket, Matte black                               |
| 6   | S600237      | 8397026 |   |

| NO. | ART NO.    | RSK     | DESCRIPTION  |
|-----|------------|---------|--|
| 6   | S600237.12 | 8397027 |  |
| 7   | S600236    | 8397024 |  |
| 7   | S600236.12 | 8397025 |  |
| 8   | S600022    | 8439704 | Stop ring, reversible  |
| 9   | S600020    | 8441462 | Reversible headwork shower mixer 12 l/min, with service tool |
| 9   | S600269    | 8387232 | Reversible headwork shower mixer 12 l/min                    |
| 10  | S600084    | 8439709 | Thermostatic cartridge, complete, incl. service tool         |
| 11  | S600271    | 8397030 | Thermostatic cartridge, complete, without service tool       |
| 12  | S600023    | 8439703 | Stop ring  |
| 13  | 409359.AA  | 8345172 | Filter kit for connecting links, retail packed               |
| 14  | S600298    | 3870203 | Service tool   |