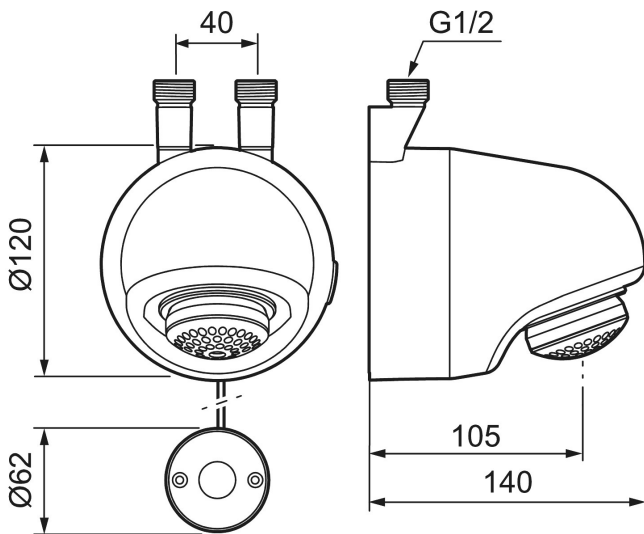
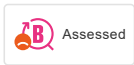




Unique characteristics



## MORA tronic compact WMS, with thermostatic function, battery operation

Article number: 720261 RSK: 8219460

Description: Chrome, battery operation, included battery and mounting plate

- Thermostatic function, with adjustable temperature
- Battery operation, can be converted to mains operation
- Connection up G1/2"
- Solenoid valve, shut-off valve and electronics integrated in the shower head
- Programmable start button. Rinsing time from 10–60 seconds, (30 seconds is the factory preset)
- Flush Timeout - safety shut-off to prevent flooding, maximum of 5 minutes
- Jet angle adjustable +/- 5°
- Flow limiter 9 l/min
- Can be turned off by solenoid valve (eg for cleaning)
- Low power consumption - Long life
- Equipped with system for thermal disinfection against legionella
- IP class sensor, IP67
- Approved non-return valves, EN-Standard EN1717

**Installation:**

- The power cable between the shower head and the start button should ideally be placed in the joints between wall tiles or in a pipe, but take care not to damage the wall's moisture barrier
- Mounting panel art.no. 729490 can also be used for external installation
- For mains operation different accessories are required:
  - Alternative 1: AC adapter art.no. S600131 and power supply art.no. S600129, alternatively transformer art.no. S600128, plus extension cable (5 m) art.no. S600127
  - Alternative 2: AC adapter art.no. S600131 and voltage distributor art.no. 729499, plus extension cable (10 m) art.no. 729488.AE

**Tronic WMS:**

- Note! Gateway and subscription or dongle are required for the WMS function
- The following options are available with wireless connection to our Tronic WMS system:
- Programmable rinsing time from 10–60 seconds, (30 seconds is the factory preset)
- Selection of activation type:
  - Saving mode, set time, always flush at the same time, factory preset mode
  - Normal, rinsing time is extended if you press again before it stops
  - Switching mode, set time, reactivation interrupts flushing
- Adjustable hygiene flushing, interval and rinsing time (in order to prevent stagnant water)
- Logging of all flushings with point of time, water consumption and temperature for individual mixer or group of mixers (minimum, maximum and average values)
- Battery monitoring
- Built-in temperature measurements of mixed water temperature
- Programmable temperature stop, the mixer will turn off directly at set maximum temperature
- Initiate hot water rinsing