



INXX II soft, medium basin mixer

INXX II basin mixers are available in three different heights, including medium which is suitable for larger basins. With its durable chrome finish and essential design, the INXX II soft enhances the feeling of comfort, quality and elegance in your bathroom. The mixer has been tested and approved according to current building regulations and is energy-efficient, which means it reduces water and energy use without compromising on comfort. A push down-waste in a matching colour is available as an accessory.

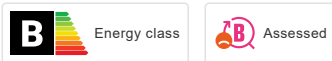
About the collection

INXX II is an elegant, timeless collection in a palette of carefully selected colours. Offering a combination of high quality, sober design and outstanding comfort, this is the ultimate collection.

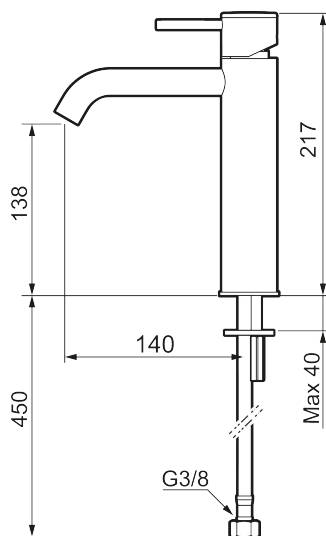
Article number: 273011.CA RSK: 8278264 Flow 3 bar: 4.5 l/m

Description: Chrome

Unique characteristics



Backflow protection unit type **AA**



- Ceramic cartridge
- Adjustable flow control and temperature limiter
- Soft PEX[®] hoses with 3/8" connecting nut (stainless steel braided)
- Hole diameter Ø34-37 mm

PRODUCT DESCRIPTION

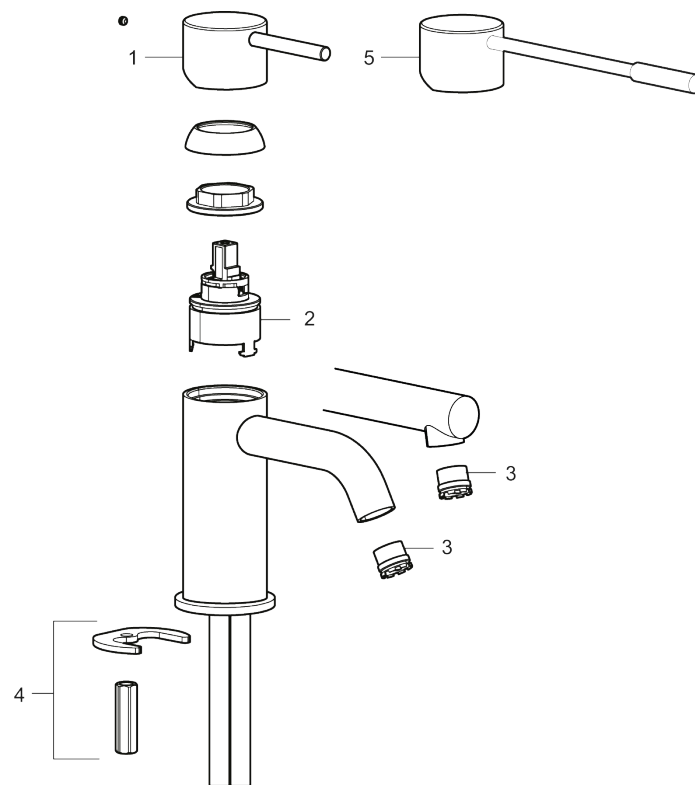
INXX II soft, medium basin mixer

INXX II basin mixers are available in three different heights, including medium which is suitable for larger basins. With its durable chrome finish and essential design, the INXX II soft enhances the feeling of comfort, quality and elegance in your bathroom. The mixer has been tested and approved according to current building regulations and is energy-efficient, which means it reduces water and energy use without compromising on comfort. A push down-waste in a matching colour is available as an accessory.

About the collection

INXX II is an elegant, timeless collection in a palette of carefully selected colours. Offering a combination of high quality, sober design and outstanding comfort, this is the ultimate collection.

Article number: 273011.CA RSK: 8278264



Sparepartlist

| NO. | ART NO. | RSK | DESCRIPTION |
|-----|-------------|---------|------------------------------|
| 1 | 409701.AE | 8394076 | Lever, complete, chrome |
| 1 | 409701.12AE | 8394077 | Lever, complete, matte black |
| 1 | 409701.22AE | 8394078 | Lever, complete, matte white |
| 1 | 409701.44AE | 8394079 | Lever, complete, matte grey |

| NO. | ART NO. | RSK | DESCRIPTION |
|-----|-------------|---------|--|
| 1 | 409701.60AE | 8394080 | Lever, complete, polished brass PVD |
| 1 | 409701.62AE | 8394081 | Lever, complete, brushed brass PVD |
| 2 | 409703.AE | 8437060 | Ceramic cartridge |
| 3 | 409706.AE | 8281571 | Aerator M16,5 ext., 5 l/min at 200–600 kPa |
| 3 | S600227 | | Aerator M16,5 ext., 3 l/min at 200–600 kPa |
| 4 | 209518.AE | 8346911 | Fastening details |
| 5 | 409708.AE | 8394122 | Care-handle, chrome |
| 5 | 409708.12AE | 8394123 | Care-handle, matte black |
| 5 | 409708.22AE | 8394124 | Care-handle, matte white |
| 5 | 409708.44AE | 8394125 | Care-handle, matte grey |
| 5 | 409708.60AE | 8394126 | Care-handle, polished brass PVD |
| 5 | 409708.62AE | 8394127 | Care-handle, brushed brass PVD |