



MORA CERA duo kitchen mixer

Modern technology has found its way into the kitchen faucet. Now you don't have to worry about the risk of bacteria moving onto your kitchen faucets while you cook. Mora Cera Duo is a perfect combination of the modern touchless technology and a traditional kitchen mixer. This gives you the possibility to get full cold or warm water by using the lever like on a traditional single lever mixer.

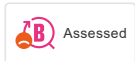
This also works well in a household where not everyone is comfortable with the touchless design and still wants access to the lever. The water temperature for water activated by the sensor is pre-set on the mixing valve placed under the mixer, this means that you don't need to adjust the temperature on the lever before using the touchless function.


The Duo mixer offer not only maximum protection against the spread of bacteria, but are also extremely economical because they deliver the exact amount of water that is needed. The mixer is equipped with all advanced technology that you normally find in Mora Armatur mixer – ESS, Soft Closing, EcoSafe® etc. Low power consumption - Battery Operated (battery included) can be adapted for mains operation 12V AC/DC.

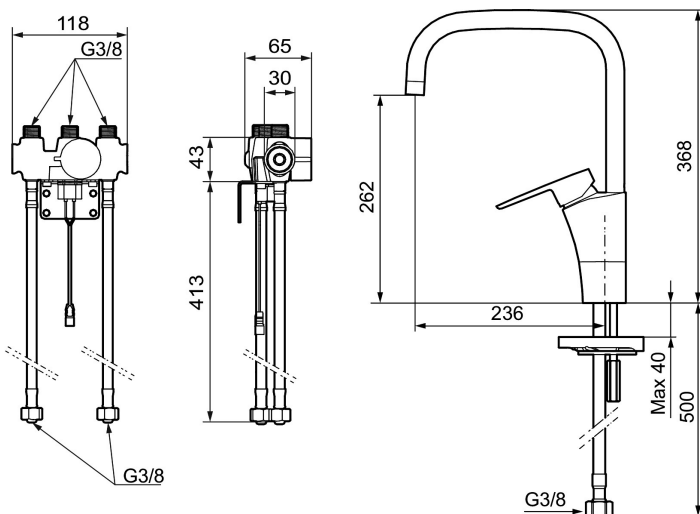
Article number: 242052 **RSK:** 8318411 **Flow 3 bar:** 12.4 l/m

Description: Chrome, battery operation, included battery

Unique characteristics



Backflow protection unit type 



- ESS (energy saving system)
- Ceramic cartridge with soft closing function
- Adjustable flow control and temperature limiter
- Eco (energy and water saving aerator)
- Swivel spout 60°, 85°, 110° or 360° (limitation part for 60° or 110° included)
- Flush Timeout - safety shut-off to prevent flooding
- Can be turned off for 5 min. (eg for cleaning)
- Low power consumption - Long life
- IP class sensor, IP67
- Approved non-return valves, EN-Standard EN1717

Installation:

- Automatic sensor calibration
- All models can be adapted for either battery 6V or mains operation 12V AC/DC

- For mains operation requires installation of the adapter kit art.no. S600147
- Soft PEX[®] hoses with 3/8" connecting nut (stainless steel braided)
- Hole diameter Ø34-37 mm

Settings:

- Programmable detection distance
- Adjustable flush time