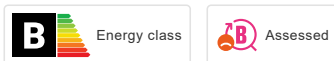

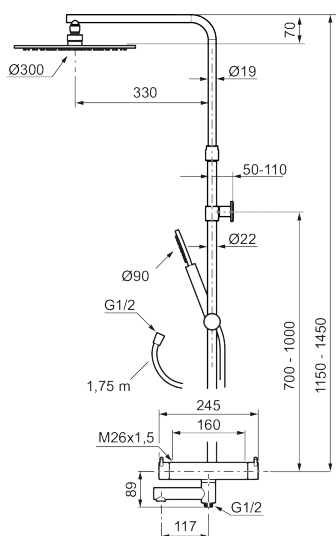




Unique characteristics



Backflow protection unit type 



## INXX II bath & shower system kit

With its durable matt black finish the INXX II combines classic design with high performance, constant temperature, outstanding comfort and effective scald protection. The overhead shower has a large, slim shower head that looks great in bathrooms with a strong character and striking shapes, as well as in classic bathrooms designed for rest and relaxation. The mixer has been tested and approved according to current building regulations and is energy-efficient, which means it reduces water and energy use without compromising on comfort. The INXX II collection offers a world-class water experience.

### About the collection

INXX II is an elegant, timeless collection in a palette of carefully selected colours. Offering a combination of high quality, sober design and outstanding comfort, this is the ultimate collection.

**Article number:** 272000.12 **RSK:** 8283720 **Flow 3 bar:** 7.6 l/m  
**Description:** Matte black, 160 c/c

- Temperature- and pressure-balanced bath mixer that reacts quickly to changes and maintains an even water temperature.
- Integrated diverter – easy-to-use water diversion between overhead shower and hand shower
- Temperature handle with safety stop at 38°C
- Water-saving eco function on the flow control knob
- Approved non-return valves, EN-Standard EN1717
- Swivel spout with built-in diverter
- With telescopic function, height can be adjusted 1150–1450 mm from the connection
- Wall bracket freely adjustable in height, 700–1000 from connection and 50–100 mm from wall, 2x20 mm spacers included, with sealing, hidden pipe joint
- Head shower and hand shower with Easy-Clean anti-limescale system
- Shower hose in metal, PVC- and BPA-free inner hose

PRODUCT DESCRIPTION

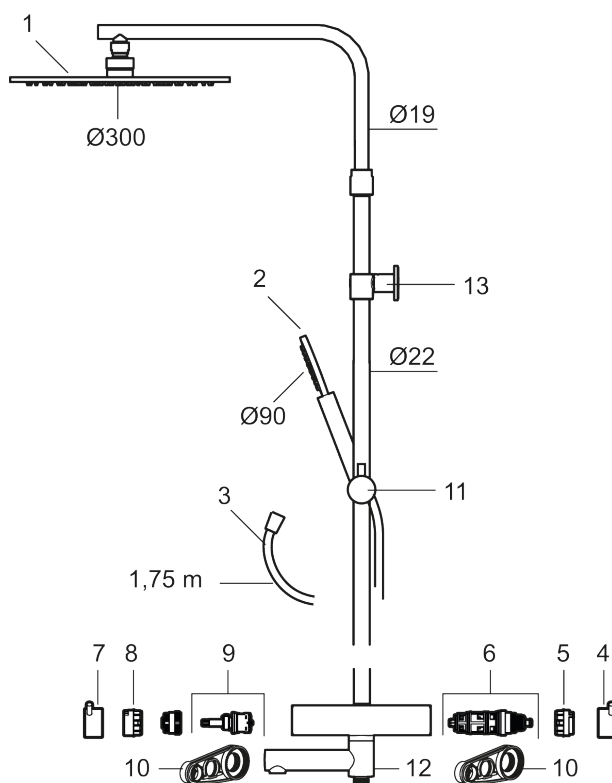
# INXX II bath & shower system kit

With its durable matt black finish the INXX II combines classic design with high performance, constant temperature, outstanding comfort and effective scald protection. The overhead shower has a large, slim shower head that looks great in bathrooms with a strong character and striking shapes, as well as in classic bathrooms designed for rest and relaxation. The mixer has been tested and approved according to current building regulations and is energy-efficient, which means it reduces water and energy use without compromising on comfort. The INXX II collection offers a world-class water experience.

### About the collection

INXX II is an elegant, timeless collection in a palette of carefully selected colours. Offering a combination of high quality, sober design and outstanding comfort, this is the ultimate collection.

Article number: 272000.12    RSK: 8283720



### Sparepartlist

NO.	ART NO.	RSK	DESCRIPTION
1	S600291	8237698	Shower head 300 mm, chrome
1	S600291.12	8237699	Shower head 300 mm, matte black
1	S600291.60	8237700	Shower head 300 mm, polished brass PVD

NO.	ART NO.	RSK	DESCRIPTION
1	S600291.62	8237701	Shower head 300 mm, brushed brass PVD
2	S600290	8233191	Hand shower, chrome
2	S600290.12	8233192	Hand shower, matte black
2	S600290.60	8233193	Hand shower, polished brass PVD
2	S600290.62	8233194	Hand shower, brused brass PVD
3	S600109	8252036	Shower hose, chrome
3	S600109.12	8236624	Shower hose in metal, 1750 mm, matte black
3	S600109.60	8236627	Shower hose in metal, 1750 mm, polished brass PVD
3	S600109.62	8236628	Shower hose in metal, 1750 mm, brused brass PVD
4	409710.AE	8218902	Temperature handle, chrome
4	409710.12AE	8218903	Temperature handle, matte black
4	409710.60AE	8218906	Temperature handle, polished brass PVD
4	409710.62AE	8218907	Temperature handle, brused brass PVD
5	S600023	8439703	Stop ring
6	S600019	8439702	Thermostatic cartridge, complete, with service tool
7	409711.AE	8218901	Temperature handle, chrome
7	409711.12AE	8218908	Temperature handle, matte black
7	409711.60AE	8218911	Temperature handle, polished brass PVD
7	409711.62AE	8218912	Temperature handle, brused brass PVD
8	S600022	8439704	Stop ring, reversible
9	S600020	8441462	Reversible headwork shower mixer 12 l/min, with service tool
9	S600269	8387232	Reversible headwork shower mixer 12 l/min
9	S600021	8441463	Reversible headwork 22 l/min, with service tool
9	S600270	8387233	Reversible headwork 22 l/min
10	S600298	3870203	Service tool
11	S600292	8239791	Slider, chrome
11	S600292.12	8239792	Slider, matte black
11	S600292.60	8239793	Slider, polished brass PVD
11	S600292.62	8239794	Slider, brushed brass PVD
12	S600161	8440630	Swivel spout, for coversion of shower mixer to bath/shower mixer, chrome
12	S600161.12	8440631	Swivel spout, for coversion of shower mixer to bath/shower mixer, matte black
12	S600161.60	8440634	Swivel spout, for coversion of shower mixer to bath/shower mixer, polished brass PVD
12	S600161.62	8440635	Swivel spout, for coversion of shower mixer to bath/shower mixer, brushed brass PVD
13	S600094	8221921	Wall bracket, chrome
13	S600094.12	8221922	Wall bracket, Matte black
13	S600094.60	8239789	Wall bracket, Polished brass PVD

NO.	ART NO.	RSK	DESCRIPTION
13	S600094.62	8239790	Wall bracket, Brushed brass PVD