

LYNX shower mixer

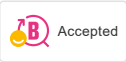
Article number: 341000 RSK: 8350308 Flow 3 bar: 12.0 l/m


Description: Chrome, 160 c/c

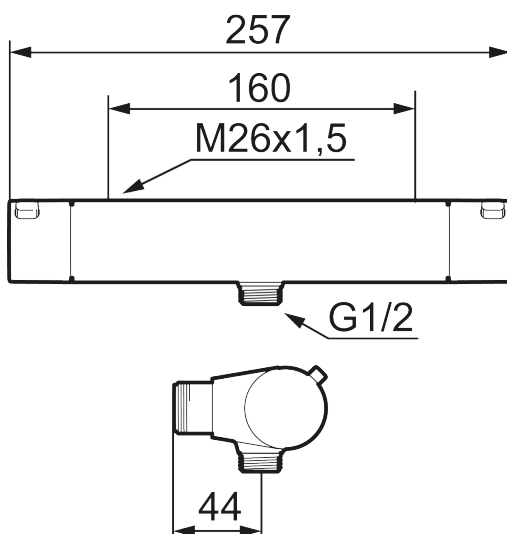


- With shower connection down
- Pressure balanced thermostatic mixer
- Temperature handle with safety stop at 38°C
- With Eco-function
- Lead Free material
- Approved non-return valves, EN-Standard EN1717

Unique characteristics



Backflow protection unit type 

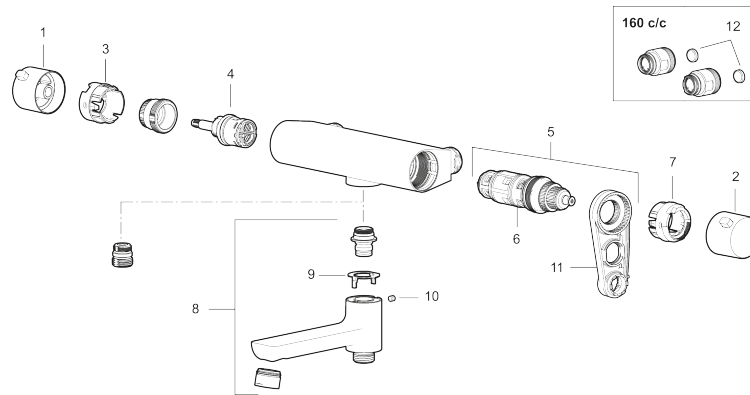


PRODUCT DESCRIPTION

LYNX shower mixer

Article number: 341000

RSK: 8350308



Sparepartlist

| NO. | ART NO. | RSK | DESCRIPTION |
|-----|------------|---------|--|
| 1 | S600237 | 8397026 | |
| 1 | S600237.12 | 8397027 | |
| 2 | S600236 | 8397024 | |
| 2 | S600236.12 | 8397025 | |
| 3 | S600024 | 8439705 | Stop ring |
| 4 | S600020 | 8441462 | Reversible headwork shower mixer 12 l/min, with service tool |
| 4 | S600269 | 8387232 | Reversible headwork shower mixer 12 l/min |
| 4 | S600021 | 8441463 | Reversible headwork 22 l/min, with service tool |
| 4 | S600270 | 8387233 | Reversible headwork 22 l/min |
| 5 | S600084 | 8439709 | Thermostatic cartridge, complete, incl. service tool |
| 6 | S600271 | 8397030 | Thermostatic cartridge, complete, without service tool |
| 7 | S600023 | 8439703 | Stop ring |
| 8 | S600247 | 8441050 | |
| 8 | S600247.12 | 8441051 | |
| 9 | 38521000 | 8295345 | Stop ring |
| 10 | 708655.AE | 8295447 | Locking screw |
| 11 | S600298 | 3870203 | Service tool |
| 12 | 409359.AA | 8345172 | Filter kit for connecting links, retail packed |