

## LYNX shower mixer

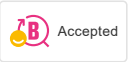
Article number: 341000.12 RSK: 8350309 Flow 3 bar: 12.0 l/m


Description: Matte black, 160 c/c

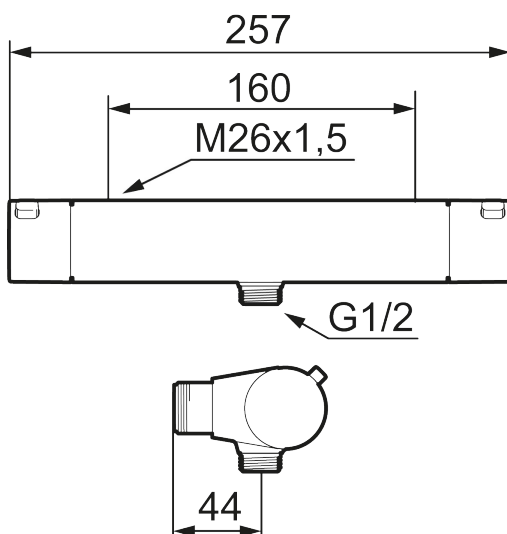


- With shower connection down
- Pressure balanced thermostatic mixer
- Temperature handle with safety stop at 38°C
- With Eco-function
- Lead Free material
- Approved non-return valves, EN-Standard EN1717

### Unique characteristics



Backflow protection unit type 

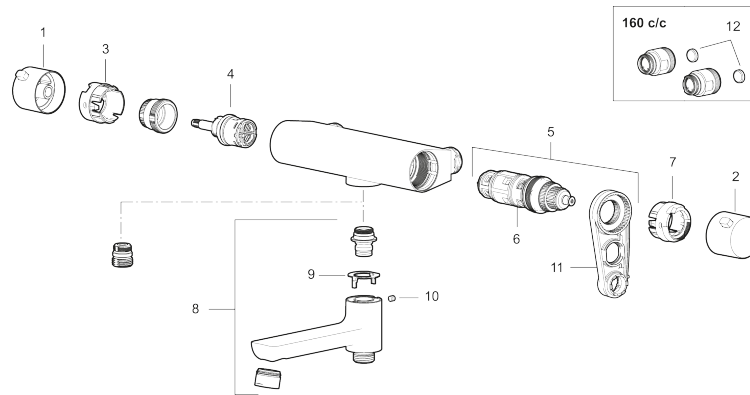


**PRODUCT DESCRIPTION**

# LYNX shower mixer

Article number: 341000.12

RSK: 8350309



## Sparepartlist

NO.	ART NO.	RSK	DESCRIPTION
1	S600237	8397026	
1	S600237.12	8397027	
2	S600236	8397024	
2	S600236.12	8397025	
3	S600024	8439705	Stop ring
4	S600020	8441462	Reversible headwork shower mixer 12 l/min, with service tool
4	S600269	8387232	Reversible headwork shower mixer 12 l/min
4	S600021	8441463	Reversible headwork 22 l/min, with service tool
4	S600270	8387233	Reversible headwork 22 l/min
5	S600084	8439709	Thermostatic cartridge, complete, incl. service tool
6	S600271	8397030	Thermostatic cartridge, complete, without service tool
7	S600023	8439703	Stop ring
8	S600247	8441050	
8	S600247.12	8441051	
9	38521000	8295345	Stop ring
10	708655.AE	8295447	Locking screw
11	S600298	3870203	Service tool
12	409359.AA	8345172	Filter kit for connecting links, retail packed