



MMIX II sharp kitchen mixer

MMIX II sharp combines a clean-lined design with quality construction and environmentally friendly aspects, making this mixer a real winner. Lead-free with an ESS energy-saving system.

Article number: 332071 RSK: 8312158 Flow 3 bar: 6.0 l/m

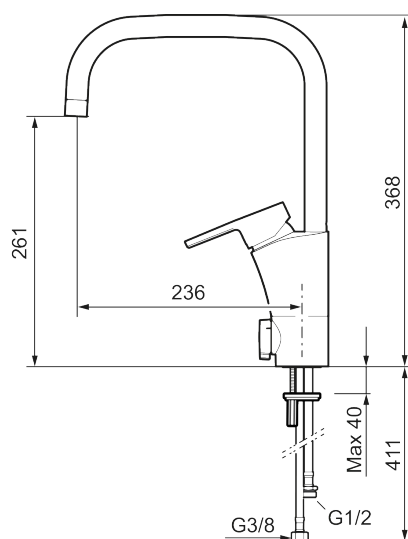
Description: Chrome

- ESS (energy saving system)
- Ceramic cartridge with soft closing function
- Adjustable flow control and temperature limiter
- Swivel spout 60°, 85°, 110° or 360° (limitation part for 60° or 110° included)
- With dishwasher valve, switchable between cold and hot water. Pre-set on cold water
- Soft PEX[®] hoses with 3/8" connecting nut (stainless steel braided)
- Lead Free material
- Hole diameter Ø34-37 mm

Unique characteristics



Backflow protection unit type **AA**



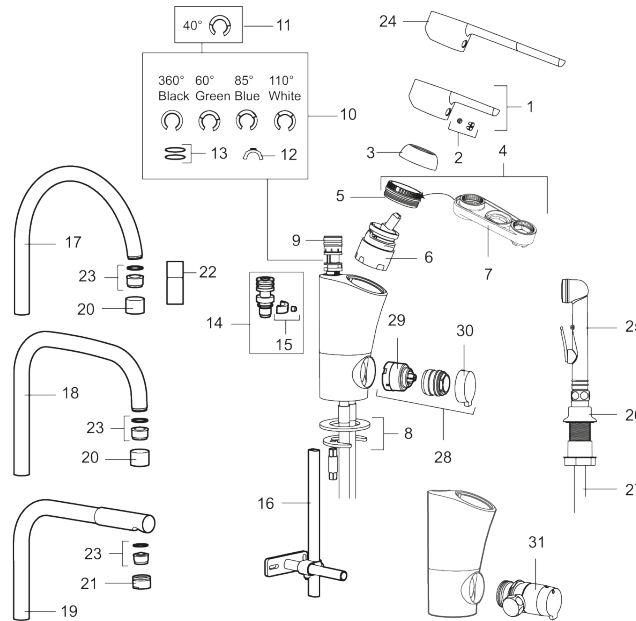
PRODUCT DESCRIPTION

MMIX II sharp kitchen mixer

MMIX II sharp combines a clean-lined design with quality construction and environmentally friendly aspects, making this mixer a real winner. Lead-free with an ESS energy-saving system.

Article number: 332071

RSK: 8312158



| | STD | LD3* | LD4* | Energy class A |
|--------------|---------|---------|-----------|----------------|
| 6. Cartridge | S600253 | S600232 | S600253 | S600253 |
| 23. Insert | S600319 | S600072 | 132205.AE | S600294 |

* LEED mixers with low flow

Sparepartlist

| NO. | ART NO. | RSK | DESCRIPTION |
|-----|-----------|---------|---|
| 1 | 409389.AE | 8344867 | Lever, complete |
| 2 | 409392.AE | 8344866 | Colour marking and mounting screw for lever |
| 3 | 409391.AE | 8344865 | Cover nut |
| 4 | 409393.AE | 8345179 | Lock nut for cartridge, incl service tool |
| 5 | 439060.AE | 8295361 | Lock nut |
| 6 | S600253 | 8387149 | Ceramic cartridge with service tool |
| 6 | S600232 | | Cartridge, Low flow, for LEED mixers |
| 7 | S600298 | 3870203 | Service tool |
| 8 | S600159 | 8387097 | Fastening kit, for kitchen mixer |
| 9 | S600018 | 8394128 | Spout nipple, complete |
| 10 | S600299 | 8387254 | Limitation segment |
| 11 | 209543.AE | 8346916 | Limitation segment 40° |

| NO. | ART NO. | RSK | DESCRIPTION |
|-----|-----------|---------|--|
| 12 | 309519.AE | 8295318 | Fixed plug, 2 pcs (black/grey) |
| 13 | 708843.AE | 8295357 | O-ring (15,54 x 2,62), 2 pcs |
| 14 | 109016.AE | 8295331 | Spout nipple, complete, for fixed spout |
| 15 | 139595.AE | 8295313 | Stop screw with limitation segment |
| 16 | S600308 | 8387263 | Stabilizer kit |
| 17 | 409395.AE | 8326732 | Spout K5, complete |
| 18 | 409396.AE | 8326733 | Spout K7, complete |
| 19 | 409397.AE | 8326734 | Spout K6, complete |
| 20 | 131410.AE | 8281509 | Housing M22 int. |
| 21 | 131415.AE | 8281512 | Housing M24 utv., 15 mm, chrome |
| 22 | 409343.AE | 8281537 | Aerator M22 int., ball joint, 7–9 l/min at 300 kPa |
| 23 | S600319 | 8280069 | Aerator insert, 7–9 l/min at 300 kPa |
| 23 | S600072 | 8281671 | Aerator insert, 3 l/min at 200–600 kPa |
| 23 | 132205.AE | 8281441 | Aerator insert, 5 l/min at 200–600 kPa |
| 23 | S600294 | | Aerator insert, 5 l/min at 200–600 kPa |
| 24 | 409390.AE | 8344874 | Care lever, complete, chrome |
| 25 | S600206 | 8233049 | Self-closing hand shower, chrome |
| 26 | 130670.AE | 8223275 | Leading sleeve |
| 27 | S600152 | 8236561 | High-pressure shower hose, L=1,5 m, chrome |
| 28 | 409104.AE | 8322314 | Dishwasher isolator cartridge, incl. service tool |
| 29 | S600337 | 8346905 | Ceramic cartridge for dishwasher, with service tool |
| 29 | S600316 | 8387265 | Ceramic cartridge for dishwasher, without service tool |
| 30 | 409400.AE | 8345180 | Handle for dish washer connection |
| 31 | 409399.AE | 8347223 | Rebuild.kit for dish washer |