



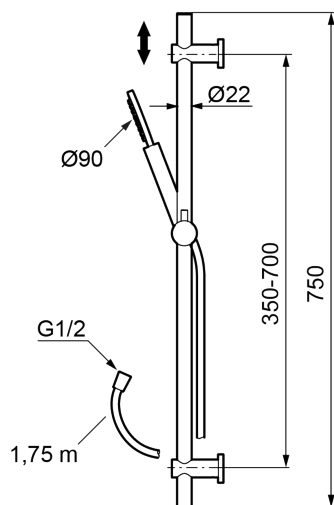
INXX II shower set

Article number: 271350.60 **RSK:** 8283701 **Flow 3 bar:** 7.6 l/m

Description: Polished brass PVD

- With adjustable wall brackets for usage of existing screw holes
- With Easy-Clean anti-limescale system
- Shower hose in metal, PVC- and BPA-free

Unique characteristics

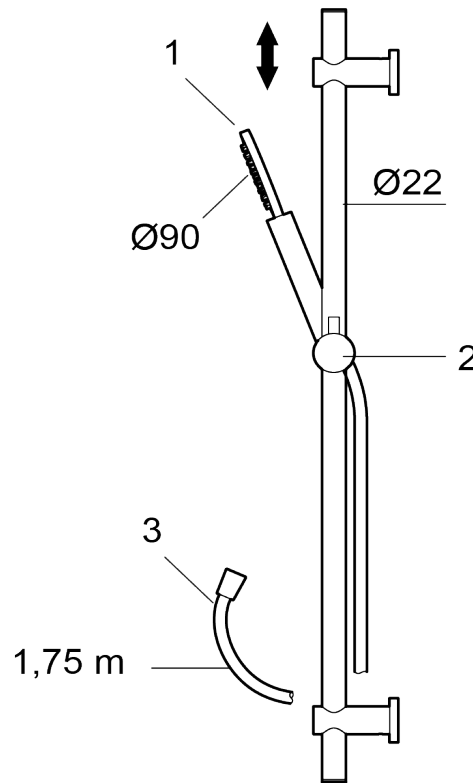


PRODUCT DESCRIPTION

INXX II shower set

Article number: 271350.60

RSK: 8283701



Sparepartlist

| NO. | ART NO. | RSK | DESCRIPTION |
|-----|------------|---------|---|
| 1 | S600290 | 8233191 | Hand shower, chrome |
| 1 | S600290.12 | 8233192 | Hand shower, matte black |
| 1 | S600290.60 | 8233193 | Hand shower, polished brass PVD |
| 1 | S600290.60 | 8233193 | Hand shower, polished brass PVD |
| 2 | S600292 | 8239791 | Slider, chrome |
| 2 | S600292.12 | 8239792 | Slider, matte black |
| 2 | S600292.60 | 8239793 | Slider, polished brass PVD |
| 2 | S600292.62 | 8239794 | Slider, brushed brass PVD |
| 3 | S600109 | 8252036 | Shower hose 1750 mm, chrome |
| 3 | S600109.12 | 8236624 | Shower hose 1750 mm, matte black |
| 3 | S600109.60 | 8236627 | Shower hose 1750 mm, polished brass PVD |
| 3 | S600109.62 | 8236628 | Shower hose 1750 mm, brused brass PVD |