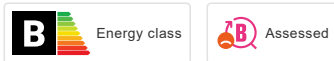

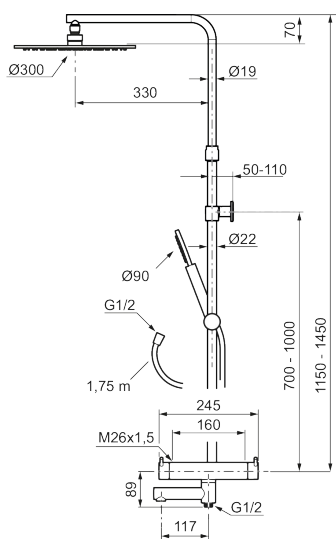




Unique characteristics



Backflow protection unit type 



INXX II bath & shower system kit

With its durable chrome finish the INXX II combines classic design with high performance, constant temperature, outstanding comfort and effective scald protection. The overhead shower has a large, slim shower head that looks great in bathrooms with a strong character and striking shapes, as well as in classic bathrooms designed for rest and relaxation. The mixer has been tested and approved according to current building regulations and is energy-efficient, which means it reduces water and energy use without compromising on comfort. The INXX II collection offers a world-class water experience.

About the collection

INXX II is an elegant, timeless collection in a palette of carefully selected colours. Offering a combination of high quality, sober design and outstanding comfort, this is the ultimate collection.

Article number: 272000 **RSK:** 8283719 **Flow 3 bar:** 7.6 l/m
Description: Chrome, 160 c/c

- Temperature- and pressure-balanced bath mixer that reacts quickly to changes and maintains an even water temperature.
- Integrated diverter – easy-to-use water diversion between overhead shower and hand shower
- Temperature handle with safety stop at 38°C
- Water-saving eco function on the flow control knob
- Approved non-return valves, EN-Standard EN1717
- Swivel spout with built-in diverter
- With telescopic function, height can be adjusted 1150–1450 mm from the connection
- Wall bracket freely adjustable in height, 700–1000 from connection and 50–100 mm from wall, 2x20 mm spacers included, with sealing, hidden pipe joint
- Head shower and hand shower with Easy-Clean anti-limescale system
- Shower hose in metal, PVC- and BPA-free inner hose