



## INXX II shower kit

With its durable matt black finish the INXX II combines classic design with high performance, constant temperature, outstanding comfort and effective scald protection. The mixer has been tested and approved according to current building regulations and is energy-efficient, which means it reduces water and energy use without compromising on comfort. The INXX II collection offers a world-class water experience.

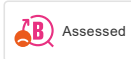
### About the collection


INXX II is an elegant, timeless collection in a palette of carefully selected colours. Offering a combination of high quality, sober design and outstanding comfort, this is the ultimate collection.

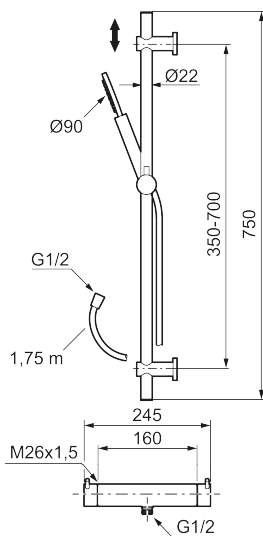
**Article number:** 271650.12 **RSK:** 8283708 **Flow 3 bar:** 7.6 l/m

**Description:** Matte black, 160 c/c

#### Unique characteristics



Backflow protection unit type 



- Temperature- and pressure-balanced shower mixer that reacts quickly to changes and maintains an even water temperature.
- Temperature handle with safety stop at 38°C
- Water-saving eco function on the flow control knob
- Approved non-return valves, EN-Standard EN1717
- With adjustable wall brackets for usage of existing screw holes
- With Easy-Clean anti-limescale system
- Shower hose in metal, PVC- and BPA-free

PRODUCT DESCRIPTION

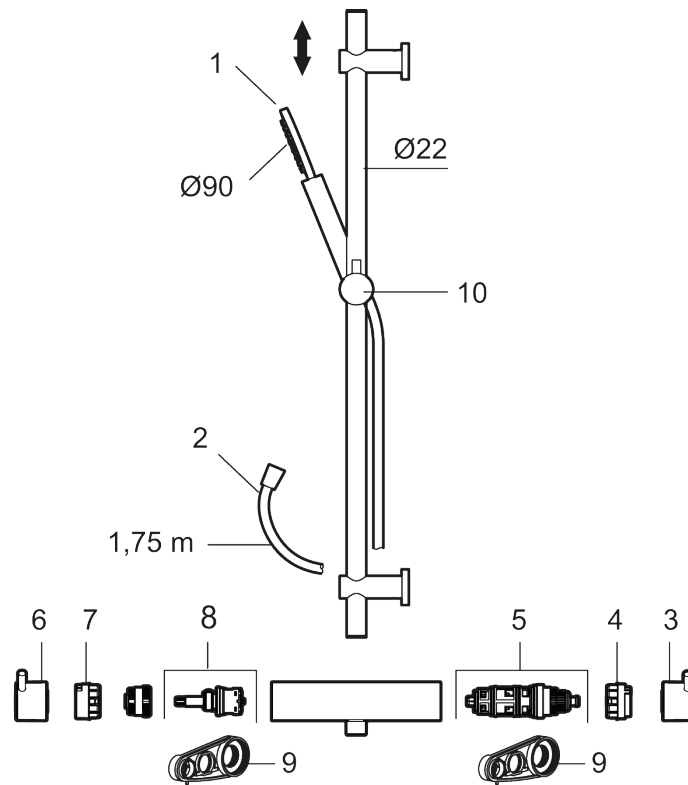
INXX II shower kit

With its durable matt black finish the INXX II combines classic design with high performance, constant temperature, outstanding comfort and effective scald protection. The mixer has been tested and approved according to current building regulations and is energy-efficient, which means it reduces water and energy use without compromising on comfort. The INXX II collection offers a world-class water experience.

About the collection

INXX II is an elegant, timeless collection in a palette of carefully selected colours. Offering a combination of high quality, sober design and outstanding comfort, this is the ultimate collection.

Article number: 271650.12      RSK: 8283708



Sparepartlist

NO.	ART NO.	RSK	DESCRIPTION
1	S600290	8233191	Hand shower, chrome
1	S600290.12	8233192	Hand shower, matte black
1	S600290.60	8233193	Hand shower, polished brass PVD
1	S600290.62	8233194	Hand shower, brused brass PVD
2	S600109	8252036	Shower hose, chrome

NO.	ART NO.	RSK	DESCRIPTION
2	S600109.12	8236624	Shower hose in metal, 1750 mm, matte black
2	S600109.60	8236627	Shower hose in metal, 1750 mm, polished brass PVD
2	S600109.62	8236628	Shower hose in metal, 1750 mm, brushed brass PVD
3	409710.AE	8218902	Temperature handle, chrome
3	409710.12AE	8218903	Temperature handle, matte black
3	409710.60AE	8218906	Temperature handle, polished brass PVD
3	409710.62AE	8218907	Temperature handle, brushed brass PVD
4	S600023	8439703	Stop ring
5	S600019	8439702	Thermostatic cartridge, complete, with service tool
6	409711.AE	8218901	Temperature handle, chrome
6	409711.12AE	8218908	Temperature handle, matte black
6	409711.60AE	8218911	Temperature handle, polished brass PVD
6	409711.62AE	8218912	Temperature handle, brushed brass PVD
7	S600024	8439705	Stop ring
8	S600020	8441462	Reversible headwork shower mixer 12 l/min, with service tool
8	S600269	8387232	Reversible headwork shower mixer 12 l/min
9	S600298	3870203	Service tool
10	S600186	8239630	Slider, chrome
10	S600186.12	8239631	Slider, matte black
10	S600186.60	8239632	Slider, polished brass PVD
10	S600186.62	8239633	Slider, brushed brass PVD