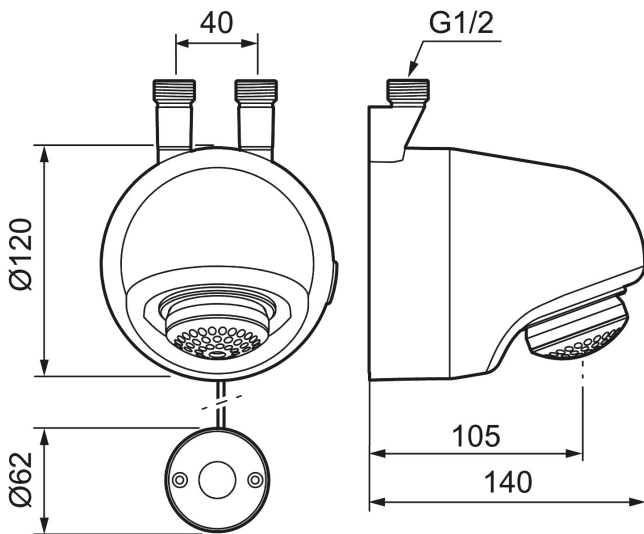
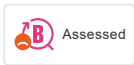




Unique characteristics



## MORA tronic compact WMS, with thermostatic function, battery operation

Article number: 720261 RSK: 8219460

Description: Chrome, battery operation, included battery and mounting plate

- Thermostatic function, with adjustable temperature
- Battery operation, can be converted to mains operation
- Connection up G1/2"
- Solenoid valve, shut-off valve and electronics integrated in the shower head
- Programmable start button. Rinsing time from 10–60 seconds, (30 seconds is the factory preset)
- Flush Timeout - safety shut-off to prevent flooding, maximum of 5 minutes
- Jet angle adjustable +/- 5°
- Flow limiter 9 l/min
- Can be turned off by solenoid valve (eg for cleaning)
- Low power consumption - Long life
- Equipped with system for thermal disinfection against legionella
- IP class sensor, IP67
- Approved non-return valves, EN-Standard EN1717

### Installation:

- The power cable between the shower head and the start button should ideally be placed in the joints between wall tiles or in a pipe, but take care not to damage the wall's moisture barrier
- Mounting panel art.no. 729490 can also be used for external installation
- For mains operation different accessories are required:
  - Alternative 1: AC adapter art.no. S600131 and power supply art.no. S600129, alternatively transformer art.no. S600128, plus extension cable (5 m) art.no. S600127
  - Alternative 2: AC adapter art.no. S600131 and voltage distributor art.no. 729499, plus extension cable (10 m) art.no. 729488.AE

### Tronic WMS:

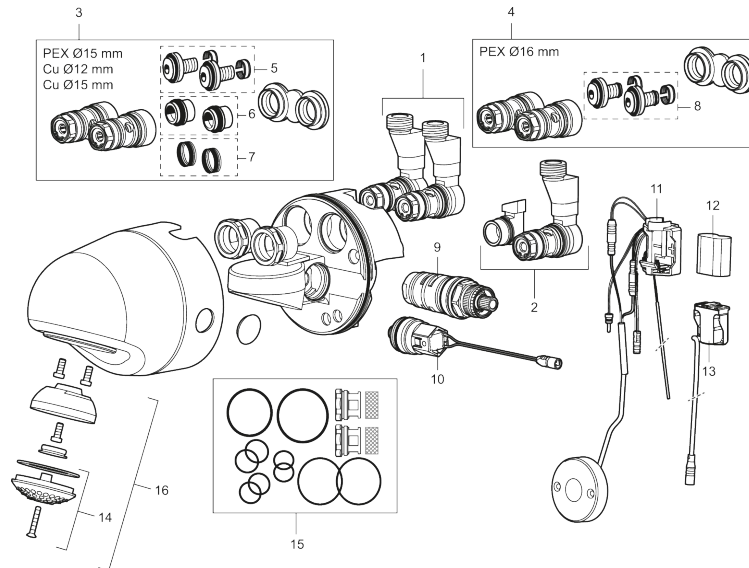
- Note! Gateway and subscription or dongle are required for the WMS function
- The following options are available with wireless connection to our Tronic WMS system:
- Programmable rinsing time from 10–60 seconds, (30 seconds is the factory preset)
- Selection of activation type:
  - Saving mode, set time, always flush at the same time, factory preset mode
  - Normal, rinsing time is extended if you press again before it stops
  - Switching mode, set time, reactivation interrupts flushing
- Adjustable hygiene flushing, interval and rinsing time (in order to prevent stagnant water)
- Logging of all flushings with point of time, water consumption and temperature for individual mixer or group of mixers (minimum, maximum and average values)
- Battery monitoring
- Built-in temperature measurements of mixed water temperature
- Programmable temperature stop, the mixer will turn off directly at set maximum temperature
- Initiate hot water rinsing

**PRODUCT DESCRIPTION**

MORA tronic compact WMS,  
with thermostatic function,  
battery operation

Article number: 720261

RSK: 8219460



**Sparepartlist**

NO.	ART NO.	RSK	DESCRIPTION
1	28145000	8221805	Connectors, complete
2	28145100	8221807	Connector, complete
3	729363	8553548	Mounting plate with connection for CU 12-15 and PEX 15
4	28141600	8221804	Mounting plate with connection for PEX 16, ALU-PEX 16
5	632405	8543470	Coupling kit, PE-X 15
6	632308	8543365	Gasket kit, CU 12
7	632309	8543367	Gasket kit, CU 15
8	632440	8543482	Coupling kit, PE-X 16
9	38147000	8221811	Thermostatic cartridge, for thermal disinfection against legionella
10	729510.AE		Solenoid valve
11	729466.AE		Electronic unit
12	S600135	8483191	Battery
13	S600131	8483190	AC adapter
14	729303.AE	8126215	Shower strainer
15	729426.AE		O-ring seals
16	729389.AE		Shower strainer, complete