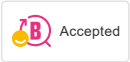

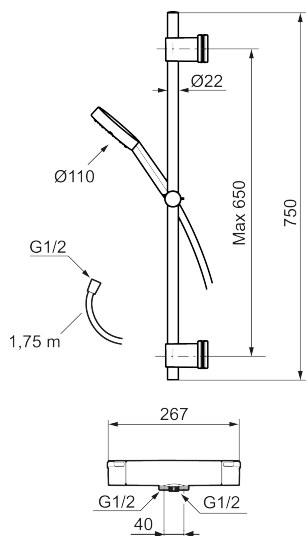




Unique characteristics



Backflow protection unit type 



MMIX II shower kit

The MMIX II shower kit features an updated design for its hand shower unit and an enhanced thermostatic. Mora's signature attention to detail and focus on quality mean this sleek chrome shower delivers on all fronts.

Article number: 334020.LD **RSK:** 8283439 **Flow 3 bar:** 6.0 l/m

Description: Chrome, 40 c/c, pipe connection down, LEED/BREEAM compliant

Consist of:

MORA MMIX II thermostatic mixer:

- Pressure balanced thermostatic mixer
- Temperature handle with safety stop at 38°C
- With Eco-function
- Lead Free material
- Approved non-return valves, EN-Standard EN1717
- Note! Not for Vaska

MORA MMIX II shower set (art.no. 331300):

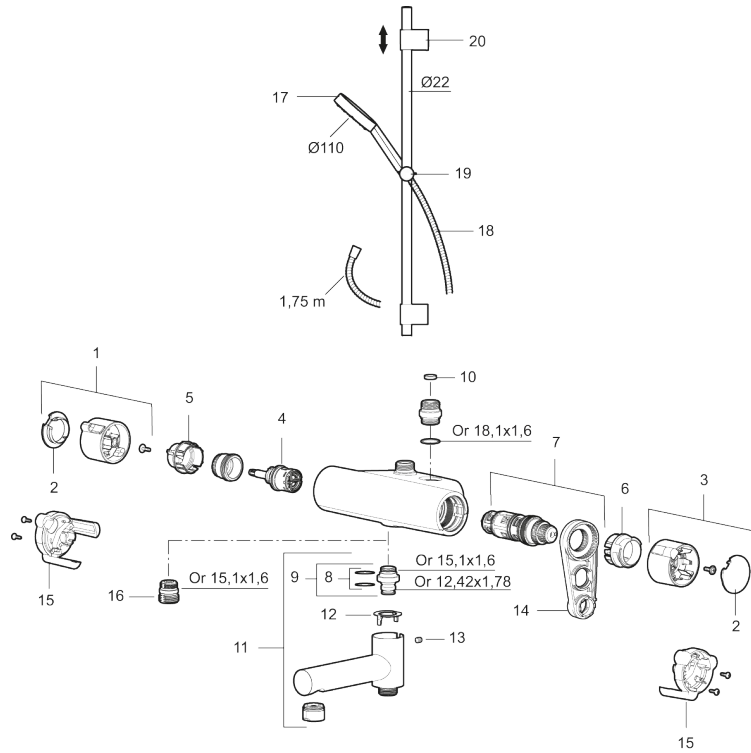
- Shower hose in metal, PVC- and BPA-free
- With adjustable wall brackets for usage of existing screw holes
- With Easy-Clean anti-limescale system

PRODUCT DESCRIPTION

MMIX II shower kit

The MMIX II shower kit features an updated design for its hand shower unit and an enhanced thermostat. Mora's signature attention to detail and focus on quality mean this sleek chrome shower delivers on all fronts.

Article number: 334020.LD RSK: 8283439



Sparepartlist

| NO. | ART NO. | RSK | DESCRIPTION |
|-----|-----------|---------|--|
| 1 | S600191 | 8397017 | On/off handle, complete, chrome |
| 2 | S600192 | 8397019 | End cover, chrome, 2 pcs |
| 3 | S600190 | 8397018 | Temperature handle, complete, chrome |
| 4 | S600020 | 8441462 | Reversible headwork shower mixer 12 l/min, with service tool |
| 4 | S600269 | 8387232 | Reversible headwork shower mixer 12 l/min |
| 4 | S600021 | 8441463 | Reversible headwork 22 l/min, with service tool |
| 4 | S600270 | 8387233 | Reversible headwork 22 l/min |
| 5 | S600086 | 8439710 | Stop ring, for one outlet (down or up) |
| 6 | S600087 | 8439711 | Scalding protection ring, max 50°C |
| 7 | S600084 | 8439709 | Thermostatic cartridge, complete, incl. service tool |
| 7 | S600271 | 8397030 | Thermostatic cartridge, complete, without service tool |
| 8 | 209519.AE | 8938340 | O-ring, for swivel spout |
| 9 | 409366.AE | | Nipple M18x1 with o-ring for bath mixer |

| NO. | ART NO. | RSK | DESCRIPTION |
|-----|------------|---------|---|
| 10 | 409359.AA | 8345172 | Filter kit for connecting links, retail packed |
| 11 | 409356 | 8344853 | Swivel spout, for conversion of shower mixer to bath/shower mixer, chrome |
| 12 | 38521000 | 8295345 | Stop ring |
| 13 | 708655.AE | 8295447 | Locking screw |
| 14 | S600298 | 3870203 | Service tool |
| 15 | S600193 | 8397020 | Care-handle, black, 2 pcs |
| 16 | S600088 | 8439712 | Nipple M18x1–G1/2 for shower mixer |
| 17 | S600195 | 8233058 | Hand shower |
| 18 | S600109 | 8252036 | Shower hose 1750 mm, chrome |
| 18 | S600109.LD | | Shower hose 1750 mm, chrome, LEED/BREEAM compliant |
| 19 | S600246 | 8239619 | Slider, chrome |
| 20 | S600266 | 8239702 | Wall bracket, chrome, 2 pcs |