



MMIX II kitchen mixer

MMIX II with a low spout combines a harmonious, ergonomically designed exterior with an energy-efficient interior for low energy consumption and long-term environmental care.

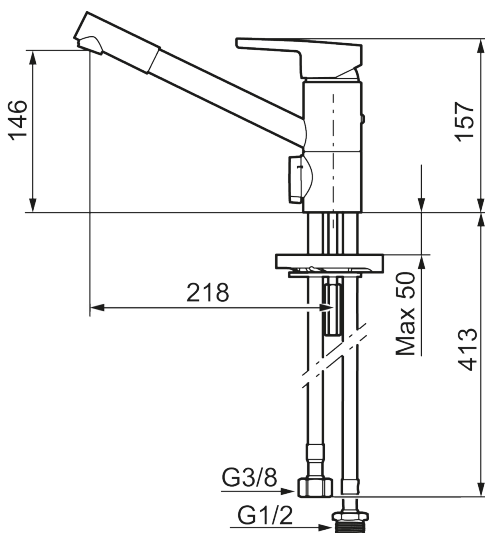
Article number: 332251 Flow 3 bar: 6.0 l/m

Description: Chrome

Unique characteristics



Backflow protection unit type **AA**



- ESS (energy saving system)
- Ceramic cartridge with soft closing function
- Adjustable flow control and temperature limiter
- Swivel spout 110°
- With dishwasher valve, switchable between cold and hot water. Pre-set on cold water
- Soft PEX[®] hoses with 3/8" connecting nut (stainless steel braided)
- Lead Free material
- Hole diameter Ø34-37 mm