



LYNX shower kit

The sleek, high-performance LYNX shower kit has a timeless form in contemporary chrome or matte black finishes. Effortless to style into your interior and exquisite to use.

Article number: 341500.LD6 **RSK:** 8283468 **Flow 3 bar:** 6.0 l/m

Description: Chrome, 150 c/c, incl. 2 x cover plates, LEED/BREEAM compliant

Consist of:

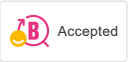
LYNX thermostatic mixer:


- Pressure balanced thermostatic mixer
- Temperature handle with safety stop at 38°C
- With Eco-function
- Lead Free material
- Approved non-return valves, EN-Standard EN1717

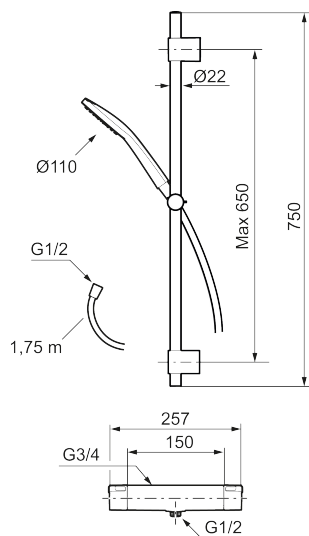
LYNX shower set (art.no. 341300):

- Shower hose in metal, PVC- and BPA-free
- With adjustable wall brackets for usage of existing screw holes
- With Easy-Clean anti-limescale system

Unique characteristics



Backflow protection unit type 

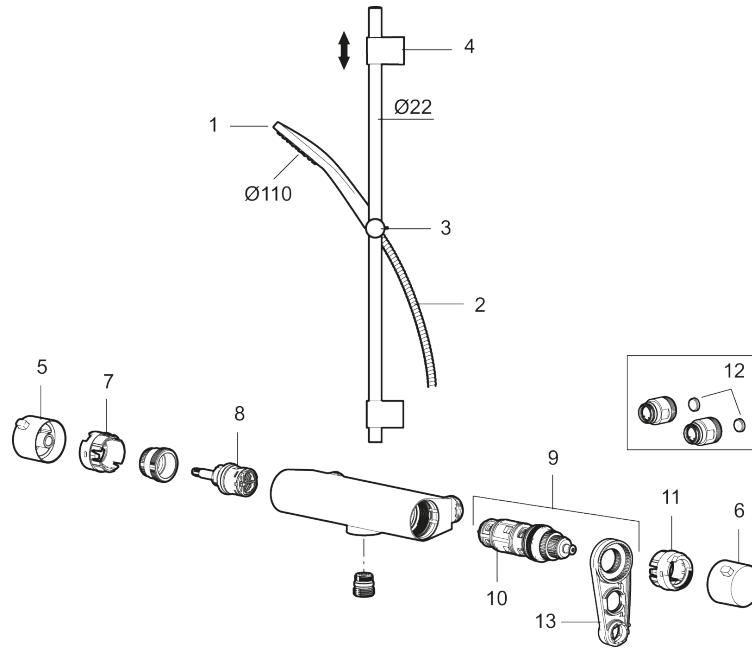


PRODUCT DESCRIPTION

LYNX shower kit

The sleek, high-performance LYNX shower kit has a timeless form in contemporary chrome or matte black finishes. Effortless to style into your interior and exquisite to use.

Article number: 341500.LD6 RSK: 8283468



Sparepartlist

NO.	ART NO.	RSK	DESCRIPTION
1	S600238	8233065	
1	S600238.12	8233100	
2	S600109	8252036	Shower hose 1750 mm, chrome
2	S600109.LD		Shower hose 1750 mm, chrome, LEED/BREEAM compliant
2	S600109.12	8236624	Shower hose 1750 mm, matte black
2	S600109.12LD		Shower hose 1750 mm, matte black, LEED/BREEAM compliant
3	S600246	8239619	Slider, chrome
3	S600246.12	8239664	Slider, matte black
4	S600266	8239702	Wall bracket, chrome, 2 pcs
4	S600266.12	8239703	
5	S600237	8397026	
5	S600237.12	8397027	
6	S600236	8397024	
6	S600236.12	8397025	
7	S600024	8439705	Stop ring

NO.	ART NO.	RSK	DESCRIPTION
8	S600020	8441462	Reversible headwork shower mixer 12 l/min, with service tool
8	S600269	8387232	Reversible headwork shower mixer 12 l/min
9	S600084	8439709	Thermostatic cartridge, complete, incl. service tool
10	S600271	8397030	Thermostatic cartridge, complete, without service tool
11	S600023	8439703	Stop ring
12	409359.AA	8345172	Filter kit for connecting links, retail packed
13	S600298	3870203	Service tool