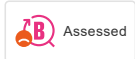

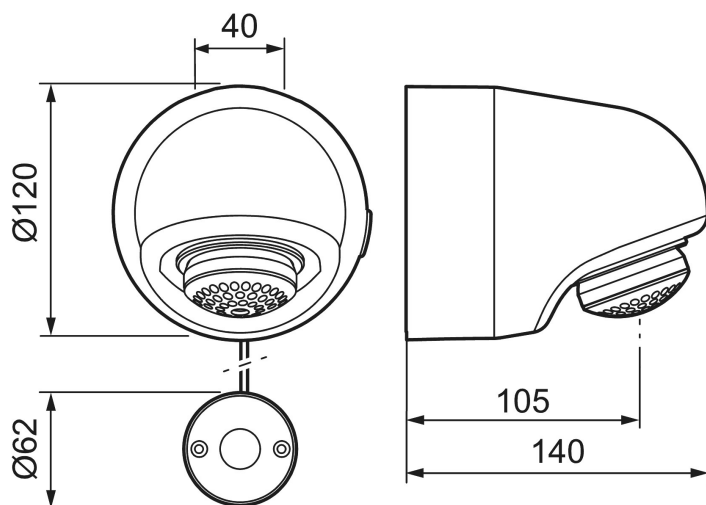




#### Unique characteristics



Backflow protection unit type 



## MORA tronic compact WMS, with thermostatic function, battery operation

**Article number:** 720263 **RSK:** 8219463

**Description:** Chrome, battery operation, included battery, excluded mounting plate

- Tronic Copmpact with possibilities of wireless connection
- Thermostatic function, with adjustable temperature
- Battery operation, can be converted to mains operation
- Connection at the back, connection are ordered separately
- Solenoid valve, shut-off valve and electronics integrated in the shower head
- Programmable start button. Rinsing time from 10–60 seconds, (30 seconds is the factory preset)
- Flush Timeout - safety shut-off to prevent flooding, maximum of 5 minutes
- Jet angle adjustable +/- 5°
- Flow limiter 9 l/min
- Can be turned off by solenoid valve (eg for cleaning)
- Low power consumption - Long life
- Equipped with function for thermal disinfection against legionella
- IP class sensor, IP67

#### Installation:

- The power cable between the shower head and the start button should ideally be placed in the joints between wall tiles or in a pipe, but take care not to damage the wall's moisture barrier
- Mounting panel art.no. 729491 can also be used for external installation
- For mains operation different accessories are required:
  - Alternative 1: AC adapter art.no. S600131 and power supply art.no. S600129, alternatively transformer art.no. S600128, plus extension cable (5 m) art.no. S600127
  - Alternative 2: AC adapter art.no. S600131 and voltage distributor art.no. 729499, plus extension cable (10 m) art.no. 729488.AE

#### Tronic WMS:

- With wireless connection to the Tronic WMS system (gateway and subscription required) alternatives via Dongel (729482) the following opportunities are obtained:
  - Programmable rinsing time from 10–60 seconds
  - Built-in temperature measurements (measures output water temperature)
  - Programmable temperature stop, the mixer will turn off directly at set maximum temperature
  - Flush time control, prevents overflow, maximum flush time 5 min.
  - Adjustable hygiene flushing, interval and flush time (to prevent water becoming stagnant)
  - Logging of all flushings with point of time, water consumption and temperature. - Only with WMS
  - Alarm via SMS or email – Only with WMS