



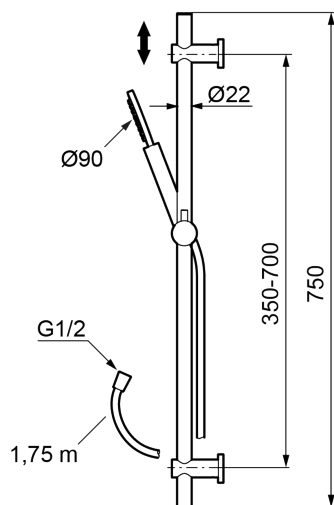
INXX II shower set

Article number: 271350.62 RSK: 8283702 Flow 3 bar: 7.6 l/m

Description: Brushed brass PVD

- With adjustable wall brackets for usage of existing screw holes
- With Easy-Clean anti-limescale system
- Shower hose in metal, PVC- and BPA-free

Unique characteristics

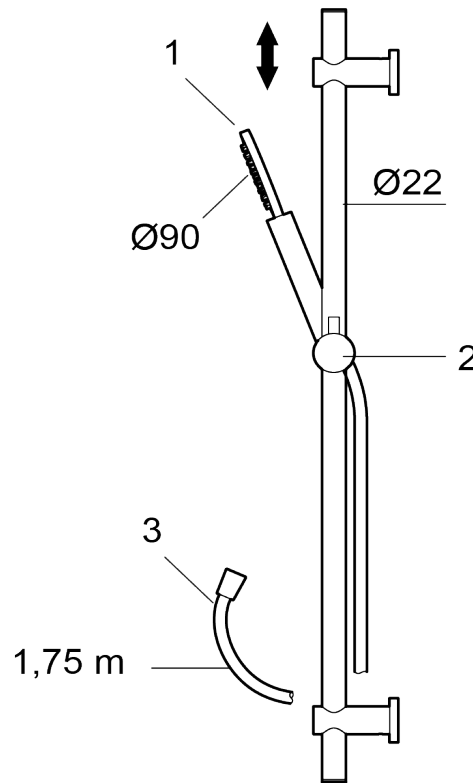


PRODUCT DESCRIPTION

INXX II shower set

Article number: 271350.62

RSK: 8283702



Sparepartlist

NO.	ART NO.	RSK	DESCRIPTION
1	S600290	8233191	Hand shower, chrome
1	S600290.12	8233192	Hand shower, matte black
1	S600290.60	8233193	Hand shower, polished brass PVD
1	S600290.60	8233193	Hand shower, polished brass PVD
2	S600292	8239791	Slider, chrome
2	S600292.12	8239792	Slider, matte black
2	S600292.60	8239793	Slider, polished brass PVD
2	S600292.62	8239794	Slider, brushed brass PVD
3	S600109	8252036	Shower hose 1750 mm, chrome
3	S600109.12	8236624	Shower hose 1750 mm, matte black
3	S600109.60	8236627	Shower hose 1750 mm, polished brass PVD
3	S600109.62	8236628	Shower hose 1750 mm, brused brass PVD