




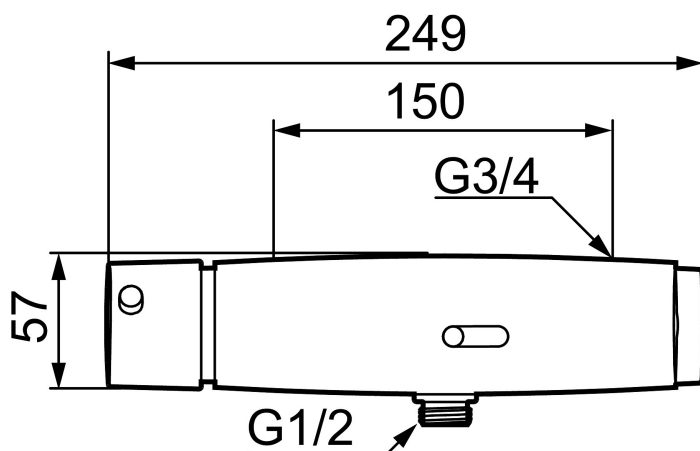
## MORA tronic WMS, shower mixer, battery operation

Article number: 720323 RSK: 8359104

Description: Chrome

Unique characteristics

Backflow protection unit type 



- WMS-mixers with possibilities of wireless connection (subscription is required)
- Adjustable hygiene flushing, intervals and rinsing time (to avoid stagnant water)
- Logging of all flushings with point of time, water consumption and temperature for individual mixer or group of mixers (minimum, maximum and average values)
- Battery monitoring
- Built-in temperature measurements of mixed water temperature
- Programmable temperature stop, the mixer will turn off directly at set maximum temperature
- With shower connection down
- Thermostatic function
- Temperature handle with safety stop at 38°C
- Adjustable maximum temperature, pre-set to 42°C
- Soft closing solenoid valve
- Safe against vandalism, complete in metal
- The mixer is activated by holding a hand or a finger against the ring on the sensor. The mixer will run for 1 minute after being activated, the sensor will then recognize the individual and continue to run as long as there is someone in front of the mixer.
- After a total of a 3 minutes shower, it will turn off automatically. If the person leaves the area in front of the shower it will turn off after 20 seconds. While showering the mixer can be manually turned off by holding a hand or a finger against the ring on the sensor
- Flush Timeout - safety shut-off to prevent flooding, maximum of 5 minutes
- Can be turned off by solenoid valve (eg for cleaning)
- Low power consumption - Long life
- Equipped with system for thermal disinfection against legionella
- Battery operation, can be converted to mains operation
- IP class sensor, IP67

- Approved non-return valves, EN-Standard EN1717

**Installation:**

- Note! Gateway and a subscription is required for WMS
- Automatic sensor calibration
- Easy to change battery, without turning off the water supply
- Mains operation requires installation of the AC adapter art.no. S600132 and power supply art.no. S600129, alternatively transformer art.no. S600128

**Settings:**

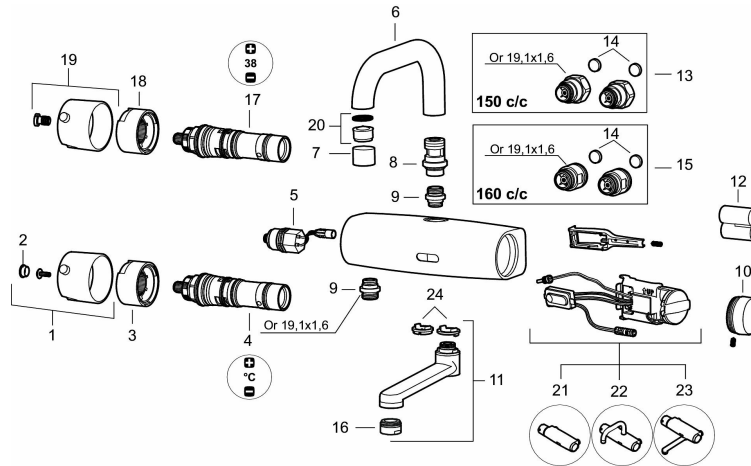
- Adjustable max temperature
- With Gateway and WMS:
  - Hygiene flushing with adjustable time and intervals
  - Initiate hot water rinsing
  - Programming of rinsing times, temperature alarm och temperature stops
  - Alert signal if exceeding the time limit for stagnant water (the latest flushing)

**PRODUCT DESCRIPTION**

**MORA tronic WMS, shower mixer, battery operation**

Article number: 720323

RSK: 8359104



**Sparepartlist**

NO.	ART NO.	RSK	DESCRIPTION
1	16221500	8438800	On/off handle, complete (for basin mixer)
2	39030000	8295347	End cover, chrome, 2 pcs
3	38525000	8218893	Stop ring (for basin mixer)
4	16280000	8483159	Mixing valve (for basin mixer), Lead Free
4	16280100		Mixing valve (for basin mixer)
5	S600277	8398040	Solenoid valve
6	58670000	8483157	Spout, L=150 mm
7	131410.AE	8281509	Housing M22 int.
8	16292000	8483161	Nipple
9	409365.AE	8187026	Nipple M18x1 - G1/2
10	729459.AE		Cover plug for battery, black
11	459558		Spout
12	S600135	8483191	Battery
13	16291500	8438803	Inlet connectors 150 c/c (left-handed thread)
14	209604.AE		Filters, 2 pcs
15	16291600	8438804	Inlet connectors 160 c/c
16	131356.AE	8281499	Aerator M24 ext.
17	729556		Thermostatic unit (for shower- and hospital mixer)
18	38515000	8218894	Stop ring (for shower- and hospital mixer)

NO.	ART NO.	RSK	DESCRIPTION
19	16211500	8438808	On/off handle, complete (for shower- and hospital mixer)
20	132205.AE	8281441	Aerator insert, 5 l/min at 200–600 kPa
21	729462.AE		Electronic unit WMS (for shower mixer)
22	16216300	8438813	Electronic unit WMS (for mixer with overhead spout)
23	16216400	8438814	Electronic unit WMS (for mixer with underlying spout)
24	58643000	8394022	Limitation segment (for mixer with underlying spout)