

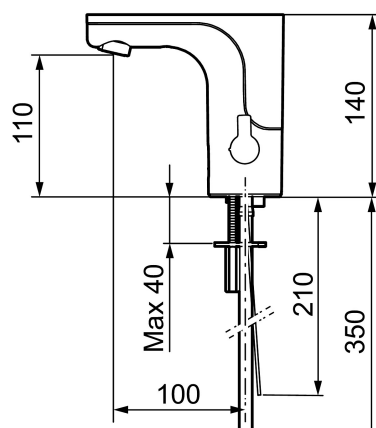
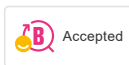


MORA MMIX tronic WMS basin mixer, battery operation

Article number: 720085 **RSK:** 8430553 **Flow 3 bar:** 5.0 l/m

Description: Chrome, battery operation, included battery

Unique characteristics

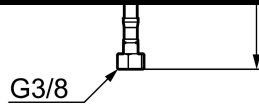


- WMS-mixers with possibilities of wireless connection
- Soft closing solenoid valve
- Safe against vandalism, complete in metal
- Eco (energy and water saving constant flow aerator, 5 l/min at 200–600 kPa)
- Flush Timeout - safety shut-off to prevent flooding
- Rinse time
- Time limited shut-off (eg for cleaning)
- Low power consumption - Long life
- Equipped with function for thermal disinfection against legionella
- Battery operation, can be converted to mains operation
- IP class sensor, IP67
- Approved non-return valves, EN-Standard EN1717
- Environmental friendly material, Lead free, Nickel Free

Installation:

- Automatic sensor calibration
- After adjusting to the desired temperature, knob can be replaced with a lid
- For mains operation requires installation of the adapter kit art.no. S600147
- Soft PEX[®] hoses with integrated non return valves and filters (stainless steel braided)
- Hole diameter Ø33,5-37 mm

Tronic WMS:



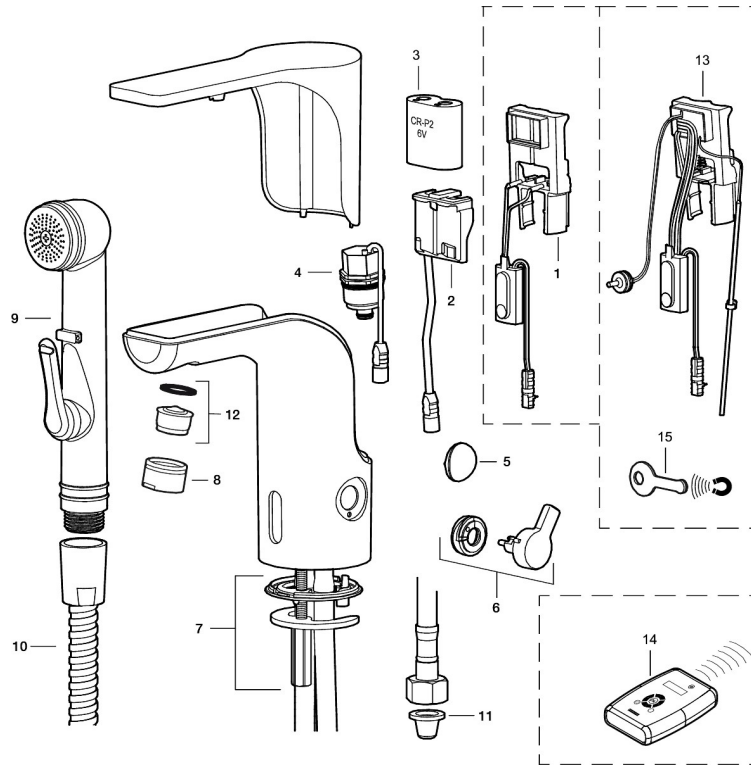
- With wireless connection to the Tronic WMS system (gateway and subscription required) alternatives via Dongel (729482) the following opportunities are obtained:
 - Programmable rinsing time from 10–60 seconds
 - Built-in temperature measurements (measures output water temperature)
 - Programmable temperature stop, the mixer will turn off directly at set maximum temperature
 - Flush time control, prevents overflow, maximum flush time 5 min.
 - Adjustable hygiene flushing, interval and flush time (to prevent water becoming stagnant)
 - Logging of all flushings with point of time, water consumption and temperature. - Only with WMS
 - Stagnation alarm (an alarm is emitted if the unit is not used within the set time) – Only with WMS
 - Alarm via SMS or email – Only with WMS

PRODUCT DESCRIPTION

MORA MMIX tronic WMS basin mixer, battery operation

Article number: 720085

RSK: 8430553



Sparepartlist

NO.	ART NO.	RSK	DESCRIPTION
1	S600278	8398041	Electronic unit, Stand.
1	S600329	8398042	Electronic unit, centrally controlled
2	S600131	8483190	AC adapter
3	S600135	8483191	Battery
4	S600277	8398040	Solenoid valve
5	729457.AE	8553563	Cover plug
6	729456.AE	8553562	Lever, chrome
7	729458.AE	8553564	Fastening
8	131415.AE	8281512	Housing M24 utv., 15 mm, chrome
9	729485.AE	8184336	Self-closing handshower
10	S600207	8236647	Shower hose, L=1,5 m, chrome
11	129296.AE	8295327	Filter kit Soft PEX 3/8 (2 pcs)
12	132205.AE	8281441	Aerator insert, 5 l/min at 200–600 kPa
13	729461.AE	8483164	Electronic unit, for WMS mixer

NO.	ART NO.	RSK	DESCRIPTION
14	729480.AE	8553570	Remote control
15	S600150		Service magnet