



MORA CERA K2 kitchen mixer

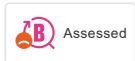
In today's families, the kitchen is a space for socialising and creativity. A modern kitchen mixer must look good, work perfectly and promote a high level of hygiene and safety. That's why Mora Cera offers the things that everyone wants in their kitchen: thoughtfulness and quality time.

Article number: 245001 RSK: 8318201 Flow 3 bar: 9.5 l/m

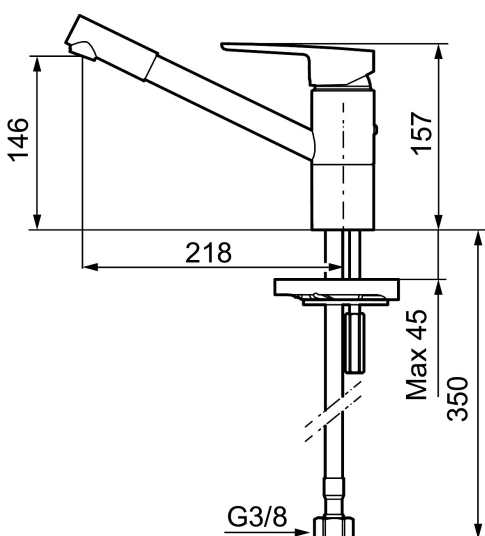
Description: Chrome

- ESS (energy saving system)
- Ceramic cartridge with soft closing function
- Adjustable flow control and temperature limiter
- Eco (energy and water saving aerator)
- Soft PEX[®] hoses with 3/8" connecting nut (stainless steel braided)
- Swivel spout 110°
- Approved by the Rheumatism Association in Sweden
- Hole diameter Ø34-37 mm

Unique characteristics



Backflow protection unit type 



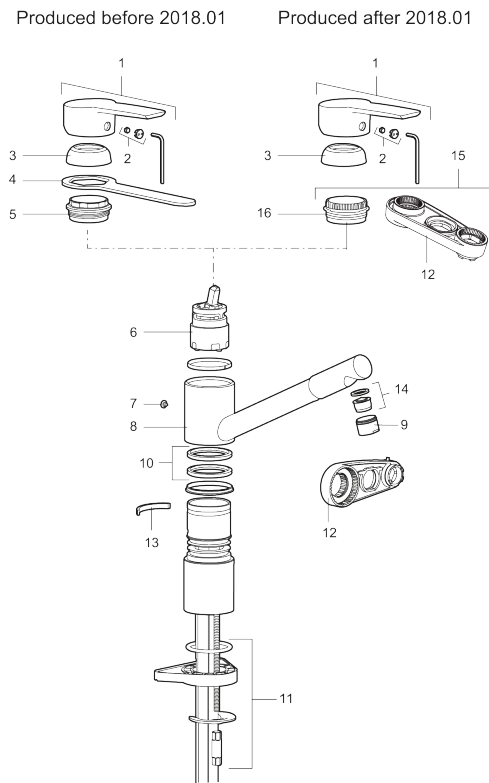
PRODUCT DESCRIPTION

MORA CERA K2 kitchen mixer

In today's families, the kitchen is a space for socialising and creativity. A modern kitchen mixer must look good, work perfectly and promote a high level of hygiene and safety. That's why Mora Cera offers the things that everyone wants in their kitchen: thoughtfulness and quality time.

Article number: 245001

RSK: 8318201



Sparepartlist

NO.	ART NO.	RSK	DESCRIPTION
1	409600.AE	8345186	Lever, complete
2	409392.AE	8344866	Colour marking and mounting screw for lever
3	409391.AE	8344865	Cover nut
5	409610.AE	8241743	Lock nut for cartridge
6	S600273	8387230	Ceramic cartridge with service tool, cold start (green ring)
7	409611.AE	8241744	Stop screw
8	409685	8242427	Swivel spout, complete with jet concentrator
9	131417.AE	8281513	Housing M24 ext., 17 mm
10	S600301	8387255	Sealing rings, 2 pcs
11	409457.AE		Fastening details for mixers without on/off valve
12	S600298	3870203	Service tool
13	209558.AE	8346933	Limitation clamp for fixed spout and swivel 30-90°

NO.	ART NO.	RSK	DESCRIPTION
14	131398.AE	8281493	Aerator insert, 9–11 l/min at 300 kPa
15	409393.AE	8345179	Lock nut for cartridge, incl service tool
16	439060.AE	8295361	Lock nut