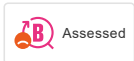

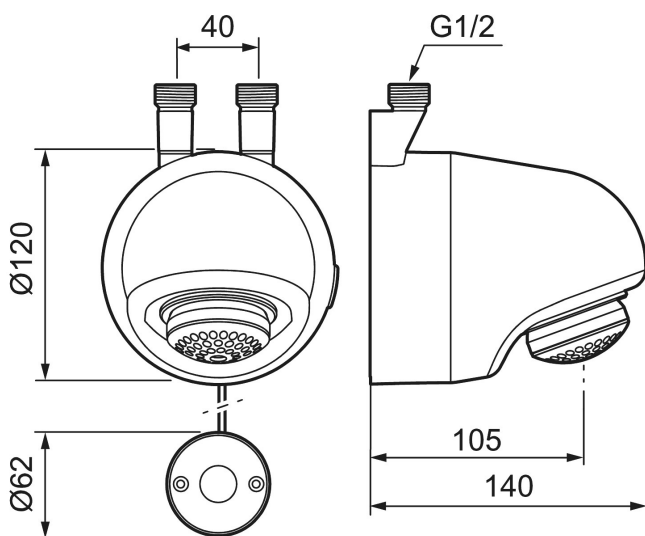




Unique characteristics



Backflow protection unit type 



MORA tronic compact WMS, with thermostatic function, mains operation

Article number: 720266 RSK: 8219461

Description: Chrome, mains operation, included mounting plate and 10 m extension cable

- Thermostatic function, with adjustable temperature
- Mains operation (excl. transformer). Incl. AC adapter and 10 m extension cable
- Connection up G1/2"
- Solenoid valve, shut-off valve and electronics integrated in the shower head
- Programmable start button. Rinsing time from 10–60 seconds, (30 seconds is the factory preset)
- Flush Timeout - safety shut-off to prevent flooding, maximum of 5 minutes
- Jet angle adjustable +/- 5°
- Flow limiter 9 l/min
- Can be turned off by solenoid valve (eg for cleaning)
- Low power consumption - Long life
- Equipped with system for thermal disinfection against legionella
- IP class sensor, IP67
- Approved non-return valves, EN-Standard EN1717

Installation:

- The power cable between the shower head and the start button should ideally be placed in the joints between wall tiles or in a pipe, but take care not to damage the wall's moisture barrier
- Mounting panel art.no. 729490 can also be used for external installation
- For mains operation different accessories are required:
 - Alternative 1: Voltage distributor art.no. 729499
 - Alternative 2: Power supply art.no. S600129, alternatively transformer art.no. S600128, plus extension cable (5 m) art.no. S600127

Tronic WMS:

- Note! Gateway and subscription or dongle are required for the WMS function
- The following options are available with wireless connection to our Tronic WMS system:
- Programmable rinsing time from 10–60 seconds, (30 seconds is the factory preset)
- Selection of activation type:
 - Saving mode, set time, always flush at the same time, factory preset mode
 - Normal, rinsing time is extended if you press again before it stops
 - Switching mode, set time, reactivation interrupts flushing
- Adjustable hygiene flushing, interval and rinsing time (in order to prevent stagnant water)
- Logging of all flushings with point of time, water consumption and temperature for individual mixer or group of mixers (minimum, maximum and average values)
- Built-in temperature measurements of mixed water temperature
- Programmable temperature stop, the mixer will turn off directly at set maximum temperature
- Initiate hot water rinsing