



## MMIX II basin mixer

MMIX II unifies its ergonomic design with top-tier energy efficiency in a stylish chrome piece that blends quality and looks. This year, we've updated its design language with straighter lines and boosted its energy-saving attributes.

Article number: 333020 RSK: 8275832 Flow 3 bar: 4.5 l/m

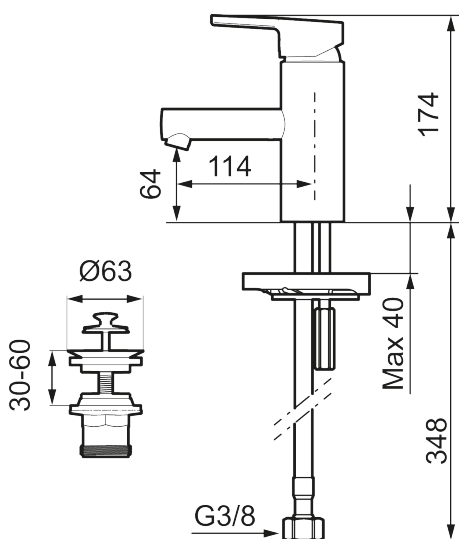
Description: Chrome

- With captive waste, lower part in plastic
- ESS (energy saving system)
- Ceramic cartridge with soft closing function
- Adjustable flow control and temperature limiter
- Soft PEX<sup>®</sup> hoses with 3/8" connecting nut (stainless steel braided)
- Lead Free material
- Hole diameter Ø34-37 mm

### Unique characteristics



Backflow protection unit type **AA**



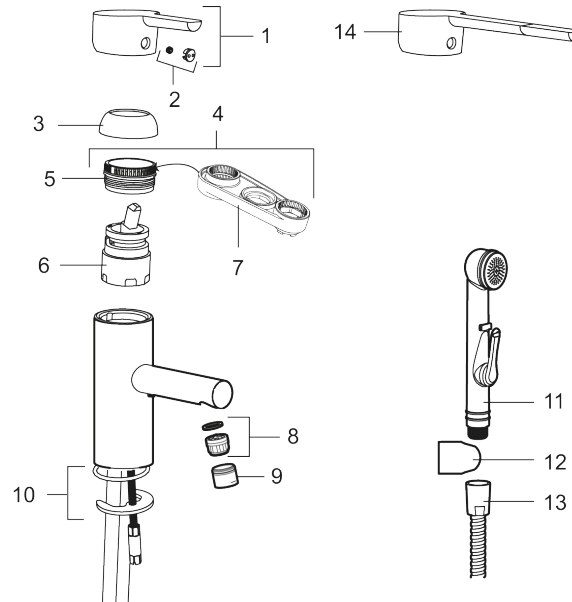
PRODUCT DESCRIPTION

# MMIX II basin mixer

MMIX II unifies its ergonomic design with top-tier energy efficiency in a stylish chrome piece that blends quality and looks. This year, we've updated its design language with straighter lines and boosted its energy-saving attributes.

Article number: 333020

RSK: 8275832



|              | STD     | LD3*    |
|--------------|---------|---------|
| 6. Cartridge | S600253 | S600232 |
| 8. Insert    | S600254 | S600254 |

\* LEED mixers with low flow

## Sparepartlist

| NO. | ART NO.   | RSK     | DESCRIPTION                                 |
|-----|-----------|---------|---|
| 1   | 409389.AE | 8344867 | Lever, complete                             |
| 2   | 409392.AE | 8344866 | Colour marking and mounting screw for lever |
| 3   | 409391.AE | 8344865 | Cover nut                                   |
| 4   | 409393.AE | 8345179 | Lock nut for cartridge, incl service tool   |
| 5   | 439060.AE | 8295361 | Lock nut                                    |
| 6   | S600253   | 8387149 | Ceramic cartridge with service tool         |
| 6   | S600232   |         | Cartridge, Low flow, for LEED mixers        |
| 7   | S600298   | 3870203 | Service tool                                |
| 8   | S600254   | 8280032 | Aerator insert, 5 l/min at 200–600 kPa      |
| 9   | S600255   | 8280033 | Housing M20 ext., 16 mm, chrome             |
| 10  | S600160   | 8387096 | Fastening kit, for basin mixer              |
| 11  | S600206   | 8233049 | Self-closing hand shower, chrome            |

| NO. | ART NO.   | RSK     | DESCRIPTION                  |
|-----|-----------|---------|------------------------------|
| 12  | S600208   | 8239743 | Wall bracket, chrome         |
| 13  | S600207   | 8236647 | Shower hose, L=1,5 m, chrome |
| 14  | 409390.AE | 8344874 | Care lever, complete, chrome |