
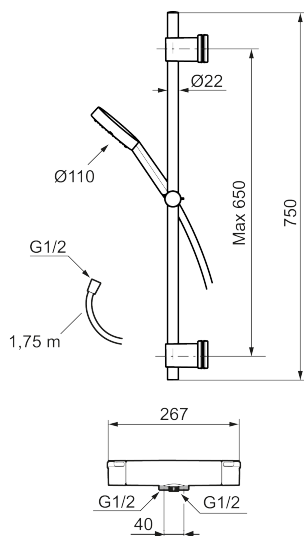




Unique characteristics



Backflow protection unit type 



MMIX II shower kit

The MMIX II shower kit features an updated design for its hand shower unit and an enhanced thermostatic. Mora's signature attention to detail and focus on quality mean this sleek chrome shower delivers on all fronts.

Article number: 334020 **RSK:** 8283438 **Flow 3 bar:** 7.6 l/m

Description: Chrome, 40 c/c, pipe connection down

Consist of:

MORA MMIX II thermostatic mixer:

- Pressure balanced thermostatic mixer
- Temperature handle with safety stop at 38°C
- With Eco-function
- Lead Free material
- Approved non-return valves, EN-Standard EN1717
- Note! Not for Vaska

MORA MMIX II shower set (art.no. 331300):

- Shower hose in metal, PVC- and BPA-free
- With adjustable wall brackets for usage of existing screw holes
- With Easy-Clean anti-limescale system

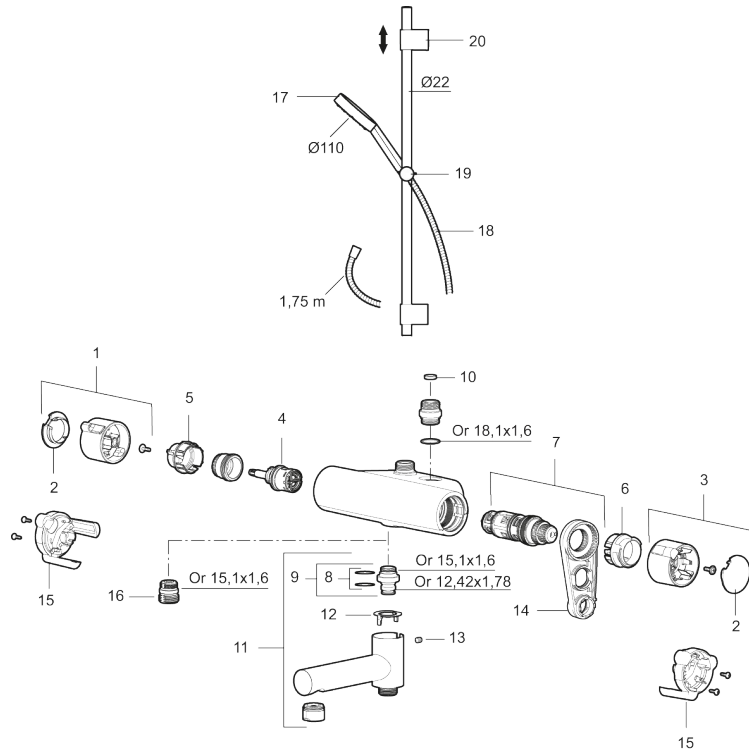
PRODUCT DESCRIPTION

MMIX II shower kit

The MMIX II shower kit features an updated design for its hand shower unit and an enhanced thermostat. Mora's signature attention to detail and focus on quality mean this sleek chrome shower delivers on all fronts.

Article number: 334020

RSK: 8283438



Sparepartlist

NO.	ART NO.	RSK	DESCRIPTION
1	S600191	8397017	On/off handle, complete, chrome
2	S600192	8397019	End cover, chrome, 2 pcs
3	S600190	8397018	Temperature handle, complete, chrome
4	S600020	8441462	Reversible headwork shower mixer 12 l/min, with service tool
4	S600269	8387232	Reversible headwork shower mixer 12 l/min
4	S600021	8441463	Reversible headwork 22 l/min, with service tool
4	S600270	8387233	Reversible headwork 22 l/min
5	S600086	8439710	Stop ring, for one outlet (down or up)
6	S600087	8439711	Scalding protection ring, max 50°C
7	S600084	8439709	Thermostatic cartridge, complete, incl. service tool
7	S600271	8397030	Thermostatic cartridge, complete, without service tool
8	209519.AE	8938340	O-ring, for swivel spout
9	409366.AE		Nipple M18x1 with o-ring for bath mixer

NO.	ART NO.	RSK	DESCRIPTION
10	409359.AA	8345172	Filter kit for connecting links, retail packed
11	409356	8344853	Swivel spout, for conversion of shower mixer to bath/shower mixer, chrome
12	38521000	8295345	Stop ring
13	708655.AE	8295447	Locking screw
14	S600298	3870203	Service tool
15	S600193	8397020	Care-handle, black, 2 pcs
16	S600088	8439712	Nipple M18x1–G1/2 for shower mixer
17	S600195	8233058	Hand shower
18	S600109	8252036	Shower hose 1750 mm, chrome
18	S600109.LD		Shower hose 1750 mm, chrome, LEED/BREEAM compliant
19	S600246	8239619	Slider, chrome
20	S600266	8239702	Wall bracket, chrome, 2 pcs