



INXX II shower kit

With its durable matt black finish the INXX II combines classic design with high performance, constant temperature, outstanding comfort and effective scald protection. The mixer has been tested and approved according to current building regulations and is energy-efficient, which means it reduces water and energy use without compromising on comfort. The INXX II collection offers a world-class water experience.

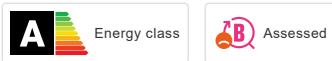
About the collection

INXX II is an elegant, timeless collection in a palette of carefully selected colours. Offering a combination of high quality, sober design and outstanding comfort, this is the ultimate collection.

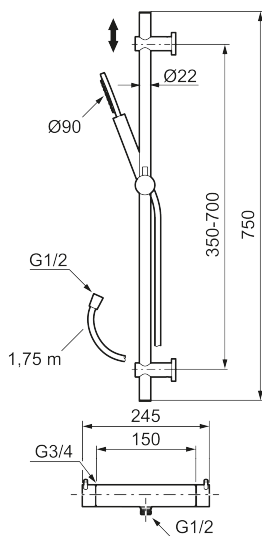
Article number: 271550.12 **RSK:** 8283704 **Flow 3 bar:** 7.6 l/m

Description: Matte black, 150 c/c

Unique characteristics



Backflow protection unit type **EB**



- Temperature- and pressure-balanced shower mixer that reacts quickly to changes and maintains an even water temperature.
- Temperature handle with safety stop at 38°C
- Water-saving eco function on the flow control knob
- Approved non-return valves, EN-Standard EN1717
- With adjustable wall brackets for usage of existing screw holes
- With Easy-Clean anti-limescale system
- Shower hose in metal, PVC- and BPA-free

PRODUCT DESCRIPTION

INXX II shower kit

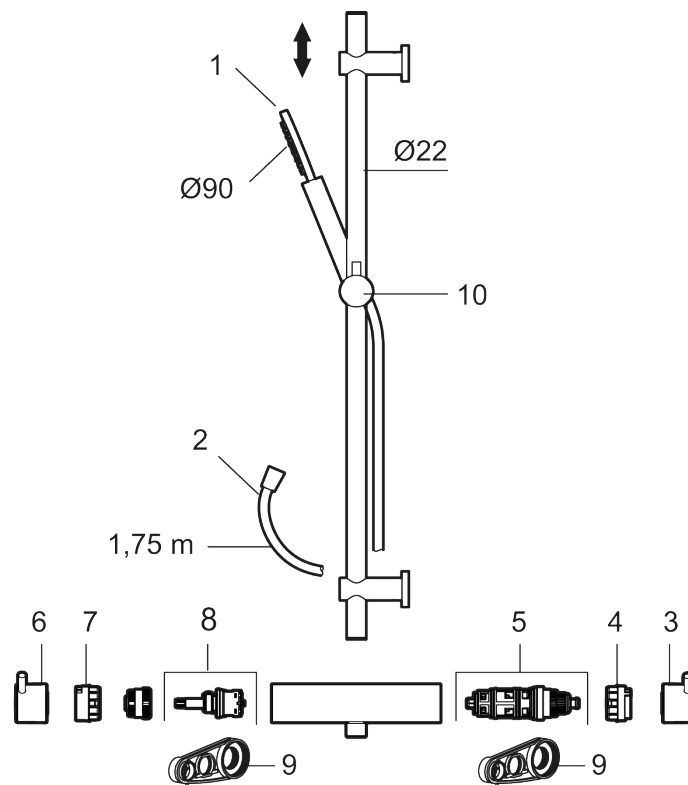
With its durable matt black finish the INXX II combines classic design with high performance, constant temperature, outstanding comfort and effective scald protection. The mixer has been tested and approved according to current building regulations and is energy-efficient, which means it reduces water and energy use without compromising on comfort. The INXX II collection offers a world-class water experience.

About the collection

INXX II is an elegant, timeless collection in a palette of carefully selected colours. Offering a combination of high quality, sober design and outstanding comfort, this is the ultimate collection.

Article number: 271550.12

RSK: 8283704



Sparepartlist

| NO. | ART NO. | RSK | DESCRIPTION |
|-----|------------|---------|---------------------------------|
| 1 | S600290 | 8233191 | Hand shower, chrome |
| 1 | S600290.12 | 8233192 | Hand shower, matte black |
| 1 | S600290.60 | 8233193 | Hand shower, polished brass PVD |
| 1 | S600290.62 | 8233194 | Hand shower, brused brass PVD |
| 2 | S600109 | 8252036 | Shower hose, chrome |

| NO. | ART NO. | RSK | DESCRIPTION |
|-----|-------------|---------|--|
| 2 | S600109.12 | 8236624 | Shower hose in metal, 1750 mm, matte black |
| 2 | S600109.60 | 8236627 | Shower hose in metal, 1750 mm, polished brass PVD |
| 2 | S600109.62 | 8236628 | Shower hose in metal, 1750 mm, brushed brass PVD |
| 3 | 409710.AE | 8218902 | Temperature handle, chrome |
| 3 | 409710.12AE | 8218903 | Temperature handle, matte black |
| 3 | 409710.60AE | 8218906 | Temperature handle, polished brass PVD |
| 3 | 409710.62AE | 8218907 | Temperature handle, brushed brass PVD |
| 4 | S600023 | 8439703 | Stop ring |
| 5 | S600019 | 8439702 | Thermostatic cartridge, complete, with service tool |
| 6 | 409711.AE | 8218901 | Temperature handle, chrome |
| 6 | 409711.12AE | 8218908 | Temperature handle, matte black |
| 6 | 409711.60AE | 8218911 | Temperature handle, polished brass PVD |
| 6 | 409711.62AE | 8218912 | Temperature handle, brushed brass PVD |
| 7 | S600024 | 8439705 | Stop ring |
| 8 | S600020 | 8441462 | Reversible headwork shower mixer 12 l/min, with service tool |
| 8 | S600269 | 8387232 | Reversible headwork shower mixer 12 l/min |
| 9 | S600298 | 3870203 | Service tool |
| 10 | S600186 | 8239630 | Slider, chrome |
| 10 | S600186.12 | 8239631 | Slider, matte black |
| 10 | S600186.60 | 8239632 | Slider, polished brass PVD |
| 10 | S600186.62 | 8239633 | Slider, brushed brass PVD |