



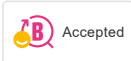
MORA MMIX K7 kitchen mixer

Mora MMIX combines elegance and ergonomic design with energy-efficiency. Soft geometric curves and a timeless style characterise the entire Mora MMIX range. The mixers were developed according to our unique EcoSafe™ concept focusing on low energy consumption and long-term environmental care.

Article number: 732051

Description: Chrome

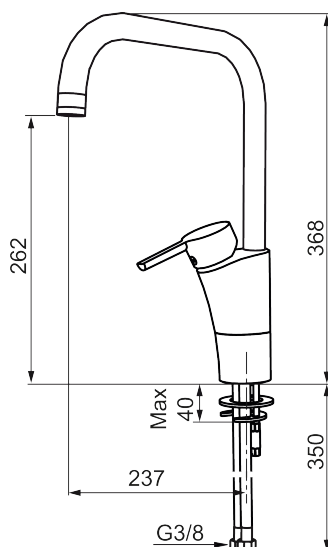
Unique characteristics



Backflow protection unit type



- ESS (energy saving system)
- Ceramic cartridge with soft closing function
- Adjustable flow control and temperature limiter
- Eco (energy and water saving aerator)
- Soft PEX® hoses with 3/8" connecting nut (stainless steel braided)
- Swivel spout, limitation part for 60°, 85°, 110° or 360° included
- Approved by the Rheumatism Association in Sweden
- Lead Free material
- Hole diameter Ø32-37 mm

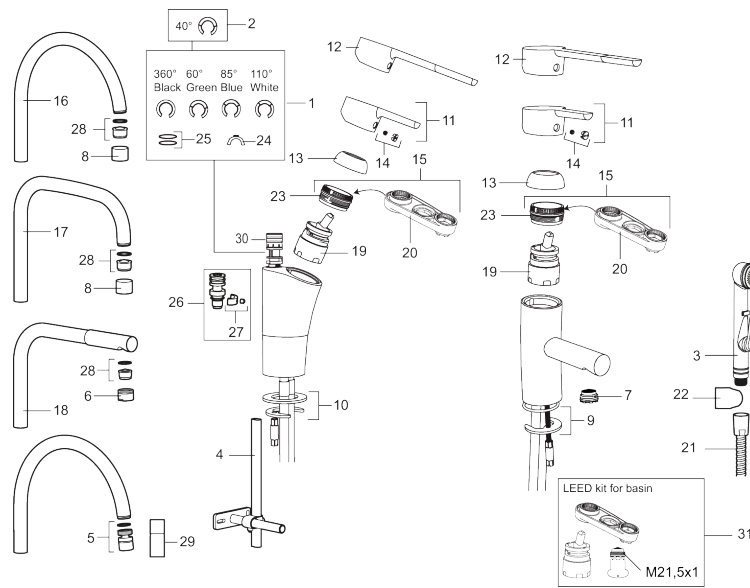


PRODUCT DESCRIPTION

MORA MMIX K7 kitchen mixer

Mora MMIX combines elegance and ergonomic design with energy-efficiency. Soft geometric curves and a timeless style characterise the entire Mora MMIX range. The mixers were developed according to our unique EcoSafe™ concept focusing on low energy consumption and long-term environmental care.

Article number: 732051



Sparepartlist

NO.	ART NO.	RSK	DESCRIPTION
	209560.AC	8345784	Rubber gasket for Soft-PEX® pipe 3/8, 10-pcs
1	209524.AE	8346915	Limitation segment
2	209543.AE	8346916	Limitation segment 40°
3	S600206	8233049	Self-closing hand shower, chrome
4	409340.AE	8531598	Stabilization kit
5	409380.AE	8281496	Aerator M22 int., ball joint, 7–9 l/min at 300 kPa
6	131415.AE	8281512	Housing M24 utv., 15 mm, chrome
7	409382.AE	8242282	Aerator M21,5 ext., 7–9 l/min at 300 kPa
7	409385.AE	8242292	Aerator M21,5 ext., 5 l/min at 200–600 kPa
7	S600228		Aerator M21,5 ext., 3 l/min at 200–600 kPa
7	409429.AE		9-11 l/min, light blue
8	131410.AE	8281509	Housing M22 int.
9	409387.AE	8346912	Fastening details, basin
10	409388.AE	8346914	Fastening details, kitchen
11	409389.AE	8344867	Lever, complete

NO.	ART NO.	RSK	DESCRIPTION
12	409390.AE	8344874	Care lever, complete, chrome
13	409391.AE	8344865	Cover nut
14	409392.AE	8344866	Colour marking and mounting screw for lever
15	409393.AE	8345179	Lock nut for cartridge, incl service tool
16	409395.AE	8326732	Spout K5, complete
17	409396.AE	8326733	Spout K7, complete
18	409397.AE	8326734	Spout K6, complete
19	409403.AE	8345132	Ceramic cartridge, incl service tool
19	409405.AE	8345205	Ceramic cartridge, Turbo, incl service tool
19	S600232		Cartridge, for basin mixer, LEED compliant
20	891096.AE	8345921	Service tool
21	S600207	8236647	Shower hose, L=1,5 m, chrome
22	130732.AE	8184186	Wall bracket
23	439060.AE	8295361	Lock nut
24	309519.AE	8295318	Fixed plug, 2 pcs (black/grey)
25	708843.AE	8295357	O-ring (15,54 x 2,62), 2 pcs
26	109016.AE	8295331	Spout nipple, complete, for fixed spout
27	139595.AE	8295313	Stop screw with limitation segment
28	131394.AE	8242225	Aerator insert, 7–9 l/min at 300 kPa
28	131400.AE	8281495	Aerator insert, 11–15 l/min at 300 kPa
28	132408.AE	8281439	Aerator insert, 8 l/min at 200–600 kPa
29	409343.AE	8281537	Aerator M22 int., ball joint, 7–9 l/min at 300 kPa
30	S600018	8394128	Spout nipple, complete
31	131407.AE	8281482	LEED kit for basin mixer, 3 l/min at 200-600 kPa