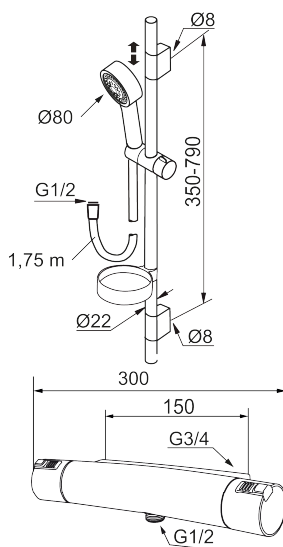
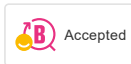




Unique characteristics



MORA MMIX shower kit

Article number: 731321.0011 Flow 3 bar: 9.3 l/m

Description: Chrome/black

Consist of:

Mora MMIX shower mixer art.no. 731100.0011DB

- Pressure balanced thermostatic mixer
- Temperature handle with safety stop at 38°C
- With Eco-function
- Lead Free material
- Approved non-return valves, EN-Standard EN1717

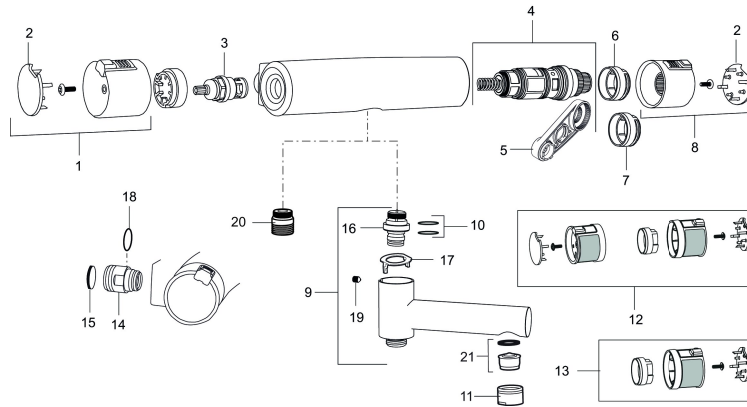
Mora MMIX shower S5 art.no. 130310

- Shower hose in metal, PVC- and BPA-free
- With soap dish
- With adjustable wall brackets for usage of existing screw holes
- With Easy-Clean anti-limescale system
- Eco (energy and water saving hand shower 9 l/min)

PRODUCT DESCRIPTION

MORA MMIX shower kit

Article number: 731321.0011



Sparepartlist

NO.	ART NO.	RSK	DESCRIPTION
1	409353.AA	8345088	On/off handle, complete, chrome, retail packed
1	409353.0011AA	8345087	On/off handle, complete, chrome/black, retail packed
2	409358.AA	8345089	End cover, chrome, retail packed
2	409358.0011AA	8345090	End cover, black, retail packed
3	409354.AA	8345137	Ceramic headwork, retail packed
4	409355.AE	8345136	Thermostatic cartridge, complete, with service tool
5	891096.AE	8345921	Service tool
6	409363.AE	8346505	Scalding protection ring, (standard)
7	409364.AE	8346506	Scalding protection ring, (max 42 °C)
8	409352.AA	8345086	Temperature handle, complete, chrome, retail packed
8	409352.0011AA	8345085	Temperature handle, complete, chrome/black, retail packed
9	409356	8344853	Swivel spout, for conversion of shower mixer to bath/shower mixer, chrome
10	209519.AE	8938340	O-ring, for swivel spout
11	131415.AE	8281512	Housing M24 utv., 15 mm, chrome
12	409370.AA	8345139	Rebuild kit, care, black/chrome, retail packed
12	409370.0085AA	8345162	Rebuild kit, care, lime/black, retail packed
12	409370.0095AE	8345210	Rebuild kit, care, red/black
13	409440.AE	8345211	Rebuild kit with fixed temp. stop, care, chrome
14	409360.AA	8187781	Inlet connector 150 c/c (left-handed thread), retail packed
14	409361.AE	8228492	Inlet connector 160 c/c
15	409359.AA	8345172	Filter kit for connecting links, retail packed

NO.	ART NO.	RSK	DESCRIPTION
16	409366.AE		Nipple M18x1 with o-ring for bath mixer
17	129154.AE	8295332	Stop ring
18	129131.AE	8295316	O-ring (18,1 x 1,6), 2 pcs
19	708655.AE	8295447	Locking screw
20	409365.AE	8187026	Nipple M18x1 - G1/2
21	139783.AE	8281546	Aerator inlet, 20–24 l/min at 300 kPa