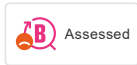


MORA tronic shower panel WMS, with thermostatic function, mains operation

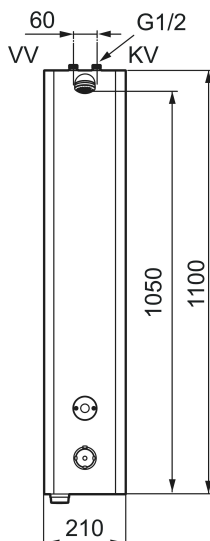
Article number: 720177

Description: Mains operated, included 10 m extension cable

Uniqe characteristics



Backflow protection unit type



- Thermostatic function, with adjustable temperature
- Mains operation (excl. transformer). Incl. AC adapter and 10 m extension cable
- Connection up G1/2", included ball valve
- With solenoid valve and filter
- Programmable start button. Rinsing time from 10–60 seconds, (30 seconds is the factory preset)
- Flush Timeout - safety shut-off to prevent flooding, maximum of 5 minutes
- Jet angle adjustable +/- 5°
- Flow limiter 9 l/min
- Stainless look
- Can be turned off by solenoid valve (eg for cleaning)
- Equipped with system for thermal disinfection against legionella
- IP class sensor, IP67
- Approved non-return valves, EN-Standard EN1717

Installation:

- Easy to change battery under the service cover without turning off the water supply
- For mains operation different accessories are required:
 - Alternative 1: Voltage distributor art.no. S600149
 - Alternative 2: Power supply art.no. S600129, alternatively transformer art.no. S600128, plus extension cable (5 m) art.no. S600127

Tronic WMS:

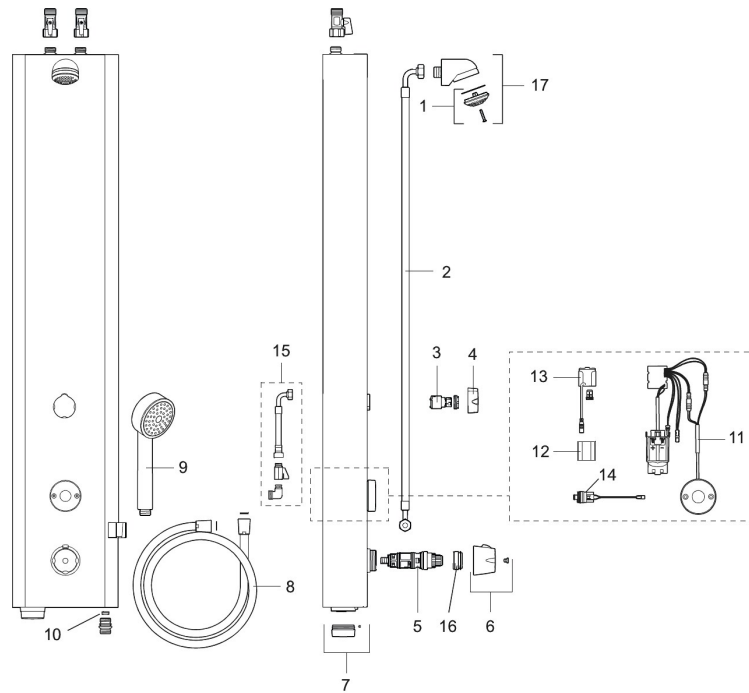
- Note! Gateway and subscription or dongle are required for the WMS function
- The following options are available with wireless connection to our Tronic WMS system:

- Programmable rinsing time from 10–60 seconds, (30 seconds is the factory preset)
- Selection of activation type:
 - Saving mode, set time, always flush at the same time, factory preset mode
 - Normal, rinsing time is extended if you press again before it stops
 - Switching mode, set time, reactivation interrupts flushing
- Adjustable hygiene flushing, interval and rinsing time (in order to prevent stagnant water)
- Logging of all flushings with point of time, water consumption and temperature for individual mixer or group of mixers (minimum, maximum and average values)
- Built-in temperature measurements of mixed water temperature
- Programmable temperature stop, the mixer will turn off directly at set maximum temperature
- Initiate hot water rinsing

PRODUCT DESCRIPTION

**MORA tronic shower panel
WMS, with thermostatic
function, mains operation**

Article number: 720177



Sparepartlist

NO.	ART NO.	RSK	DESCRIPTION
1	729303.AE	8126215	Shower strainer
2	729512.AE		Connection hose, 0,7 m
3	409417.AA	8541628	Cartridge for diverter
4	729509.AE		Handle for diverter
5	409419.AE	8938271	Thermostatic cartridge, complete, with service tool
6	S600222	8239545	Temperature handle, complete
7	729459.AE		Cover plug for battery, black
8	139835.AE	8199159	Shower hose in metal, 1750 mm
9	130361	8199196	Hand shower
10	729514.AE		Flow limiter, constant flow 6 l/min at 200–600 kPa
10	729511.AE		Flow limiter, constant flow 9 l/min at 200–600 kPa
10	729515.AE		Flow limiter, constant flow 12 l/min at 200–600 kPa
11	729465.AE		Electronic unit

NO.	ART NO.	RSK	DESCRIPTION
12	S600135	8483191	Battery
13	S600132	8438826	AC adapter
14	729510.AE		Solenoid valve
15	729513.AE		Hose kit, connection behind
16	409364.AE	8346506	Scalding protection ring, (max 42 °C)
17	S600025	8221869	Shower head, complete