



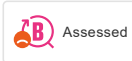
## MORA REXX B5 basin mixer

With their simple, minimalist design, Mora REXX mixers are the essence of Scandinavian design and functionality. Their innovation lies in their precision. When tradition and craftsmanship meet state-of-the-art manufacturing methods and inspiring design, the result is Mora REXX. The version shown here is a beautiful basin mixer with built-in intelligent functionality.

Article number: 707150.0011 Flow 3 bar: 7.8 l/m

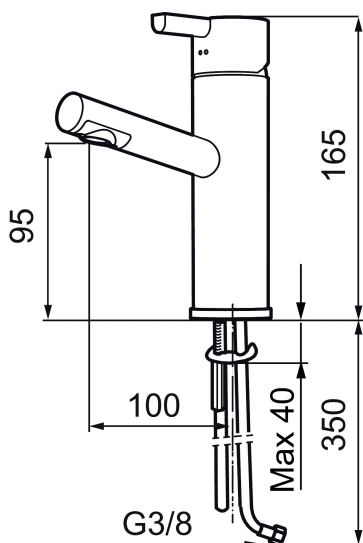
Description: Chrome/black

### Unique characteristics



- ESS (energy saving system)
- Ceramic cartridge
- Adjustable flow control and temperature limiter
- Soft PEX<sup>®</sup> hoses with 3/8" connecting nut (stainless steel braided)
- Hole diameter Ø32-37 mm (Ø32-35 mm recommended)

Backflow protection unit type

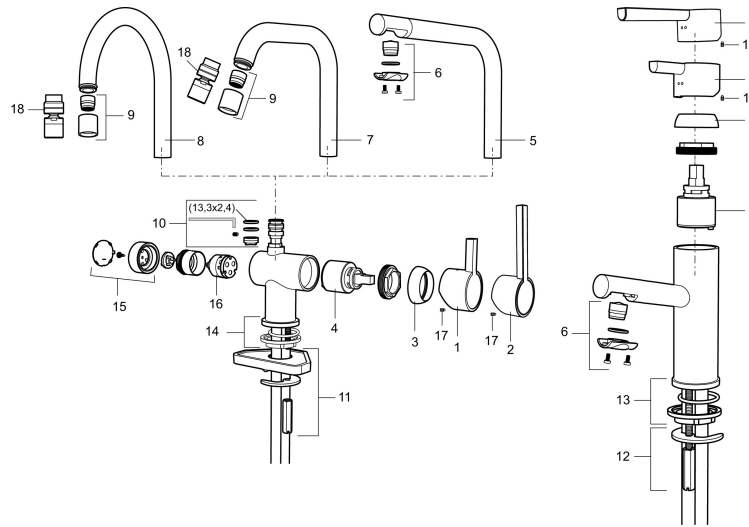


PRODUCT DESCRIPTION

# MORA REXX B5 basin mixer

With their simple, minimalist design, Mora REXX mixers are the essence of Scandinavian design and functionality. Their innovation lies in their precision. When tradition and craftsmanship meet state-of-the-art manufacturing methods and inspiring design, the result is Mora REXX. The version shown here is a beautiful basin mixer with built-in intelligent functionality.

**Article number:** 707150.0011



## Sparepartlist

| NO. | ART NO.       | RSK     | DESCRIPTION  |
|-----|---------------|---------|--|
|     | 209560.AC     | 8345784 | Rubber gasket for Soft-PEX® pipe 3/8, 10-pcs                 |
| 1   | 209500.AE     | 8346901 | Handle, chrome   |
| 1   | 209500.0011AE | 8346917 | Handle, chrome/black   |
| 2   | 409337        | 8346503 | Care-handle, chrome  |
| 3   | 209501.AE     | 8346902 | Cover nut, chrome  |
| 4   | 209493.AE     | 8345204 | Ceramic cartridge, ESS                                       |
| 4   | 708301.AE     | 8345093 | Ceramic cartridge  |
| 5   | 209506.AE     | 8346907 | L-spout, complete, chrome                                    |
| 5   | 209506.0011AE | 8326728 | L-spout, complete, chrome/black                              |
| 6   | 209502.AE     | 8346903 | Aerator kit, L-spout, 7,6 l/min at 200–600 kPa, chrome       |
| 6   | 209502.0011AE | 8346921 | Aerator kit, L-spout, 7,6 l/min at 200–600 kPa, chrome/black |
| 7   | 209508.AE     | 8346909 | J-spout, complete, chrome                                    |
| 8   | 209507.AE     | 8346908 | C-spout, complete, chrome                                    |
| 9   | 209503.AE     | 8346904 | Aerator M18 int., 7,6 l/min at 200–600 kPa, chrome           |
| 10  | 209520.AE     | 8346910 | Gasket kit, incl. o-rings, limitation part, screw and wrench |

| NO. | ART NO.   | RSK     | DESCRIPTION  |
|-----|-----------|---------|--|
| 11  | 708779.AE |         | Fastening details, kitchen   |
| 12  | 209518.AE | 8346911 | Fastening details  |
| 13  | 209562.AE |         | Locating ring, basin   |
| 14  | 209563.AE | 8295335 | Locating ring, kitchen   |
| 15  | 209505.AE | 8346906 | Handle for dishwasher connection, chrome                               |
| 16  | 209504.AE | 8346905 | Ceramic cartridge for dish washer connection CW/HW, incl. service tool |
| 17  | 459013    |         | Locking screw  |
| 18  | 409480.AE | 8393983 | Aerator M18 int., ball joint, 7–9 l/min at 300 kPa                     |