



## MORA CERA W5 single lever mixer

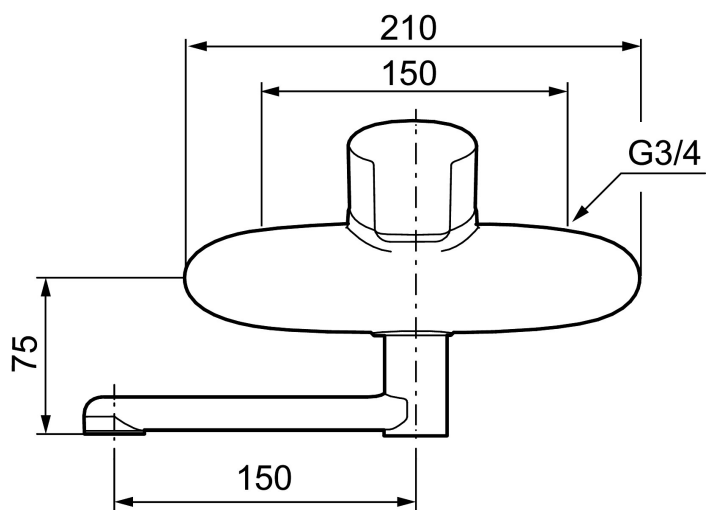
Article number: 253151

Description: Chrome

- ESS (energy saving system)
- Ceramic cartridge with soft closing function
- Adjustable flow control and temperature limiter
- Eco (energy and water saving aerator)
- Spout included

Unique characteristics

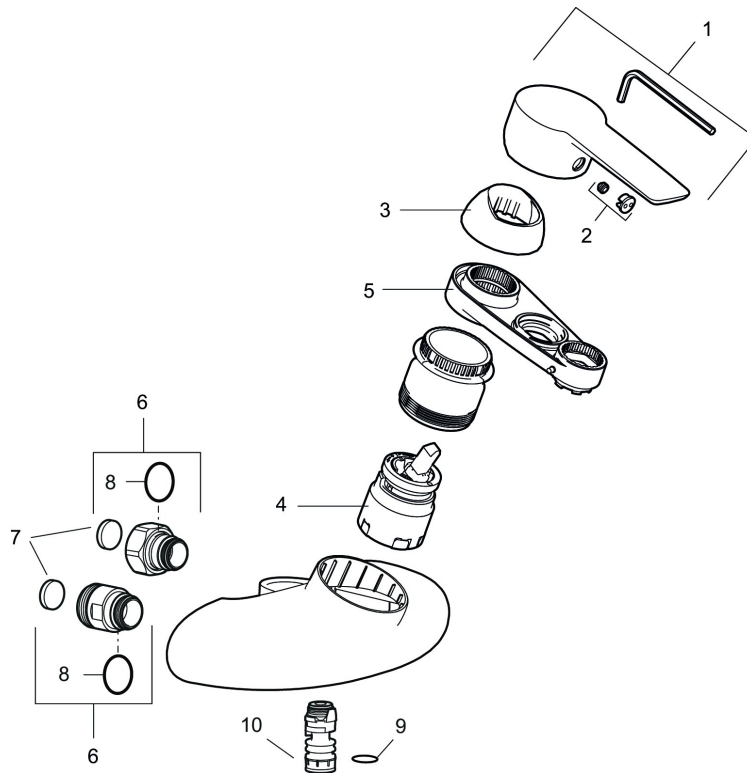
Backflow protection unit type



PRODUCT DESCRIPTION

MORA CERA W5 single lever mixer

Article number: 253151



Sparepartlist

| NO. | ART NO.   | RSK     | DESCRIPTION   |
|-----|-----------|---------|---|
| 1   | 409600.AE | 8345186 | Lever, complete   |
| 2   | 409392.AE | 8344866 | Colour marking and mounting screw for lever                 |
| 3   | 409410.AE | 8591986 | Cover nut   |
| 4   | 409403.AE | 8345132 | Ceramic cartridge, incl service tool                        |
| 5   | 891096.AE | 8345921 | Service tool  |
| 6   | 409360.AA | 8187781 | Inlet connector 150 c/c (left-handed thread), retail packed |
| 6   | 409361.AE | 8228492 | Inlet connector 160 c/c                                     |
| 7   | 409359.AA | 8345172 | Filter kit for connecting links, retail packed              |
| 8   | 129131.AE | 8295316 | O-ring (18,1 x 1,6), 2 pcs                                  |
| 9   | 708843.AE | 8295357 | O-ring (15,54 x 2,62), 2 pcs                                |
| 10  | 109020.AE | 8295322 | Nipple M18x1  |