



MORA CERA W5 single lever mixer

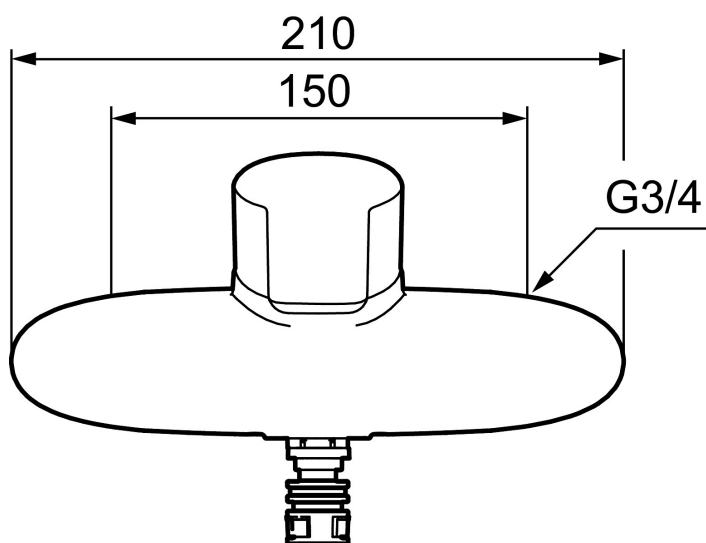
Article number: 253001

Description: Chrome

- ESS (energy saving system)
- Ceramic cartridge with soft closing function
- Adjustable flow control and temperature limiter
- Spout must be ordered separately

Uniqe characteristics

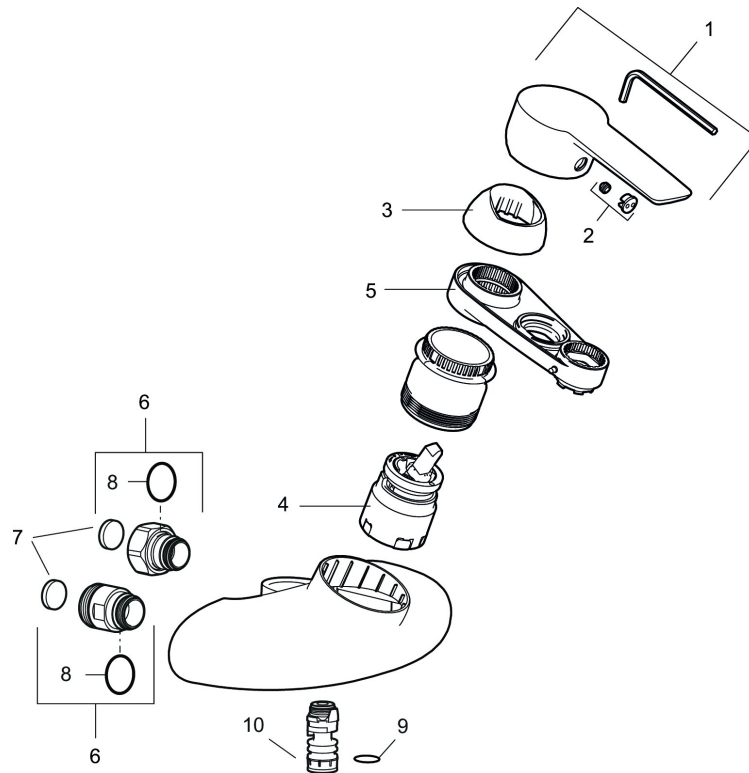
Backflow protection unit type



PRODUCT DESCRIPTION

MORA CERA W5 single lever mixer

Article number: 253001



Sparepartlist

NO.	ART NO.	RSK	DESCRIPTION
1	409600.AE	8345186	Lever, complete
2	409392.AE	8344866	Colour marking and mounting screw for lever
3	409410.AE	8591986	Cover nut
4	409403.AE	8345132	Ceramic cartridge, incl service tool
5	891096.AE	8345921	Service tool
6	409360.AA	8187781	Inlet connector 150 c/c (left-handed thread), retail packed
6	409361.AE	8228492	Inlet connector 160 c/c
7	409359.AA	8345172	Filter kit for connecting links, retail packed
8	129131.AE	8295316	O-ring (18,1 x 1,6), 2 pcs
9	708843.AE	8295357	O-ring (15,54 x 2,62), 2 pcs
10	109020.AE	8295322	Nipple M18x1